

Lumiglas Tubular Sightglass/Flow Indicator

flanged at both ends to DIN 2642 for fitting into pipelines

- **Application:**
For visual control of state of fluid and flow in pipelines
- **Connecting flanges:**
Flanges to DIN 2642 (mating sizes PN 10)
- **Length over flange:**
DIN 3202 F1
- **Operating conditions:**
Operating pressure: up to 6 bar, depending on wall thickness
(higher ratings on request)
Operating temperature: up to 220°C

- **Materials of components**

referred to in adjoining exploded view:

Item	Part	Material
1	Connecting flange	Stainless steel 1.4571 or other
2	Glass cylinder	Borosilicate glass (DURAN)
3	Ring seals	Silicon rubber or other
4	Spacer bars	Stainless steel 1.4301 or other
5	Securing bolts	A 2 or other (with spring washer)

- **Special versions:**

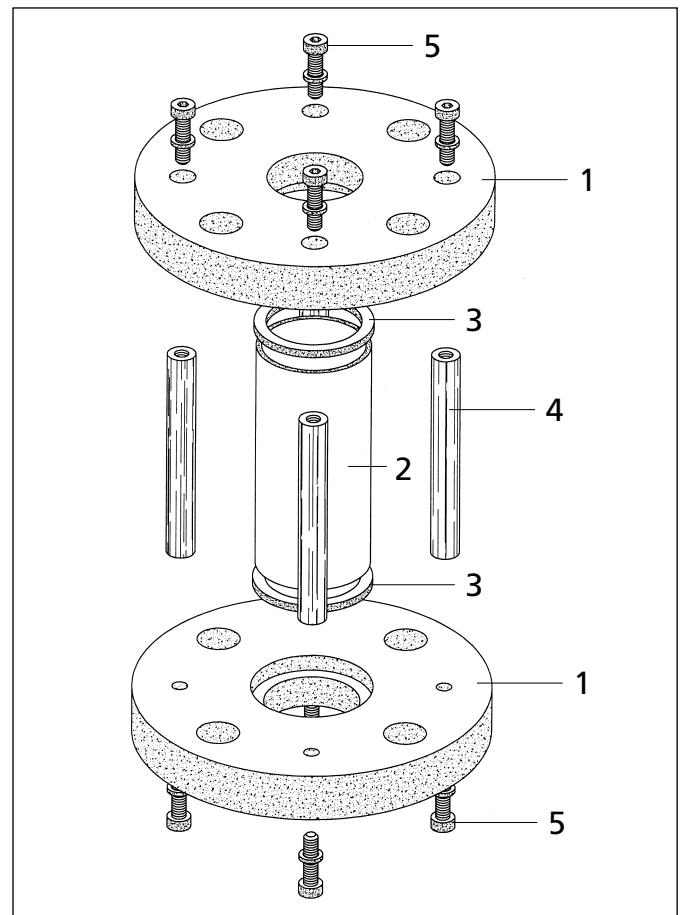
- with stainless steel or protective plexiglass outer shell
- ANSI flanges
- customised length

- **Installation:**

- The flow indicator is bolted, using suitable gaskets, directly between the mating flanges of the pipeline.
- The flow indicator should be fitted so that no stresses (tensile, compression or torsional) are caused on tightening up.

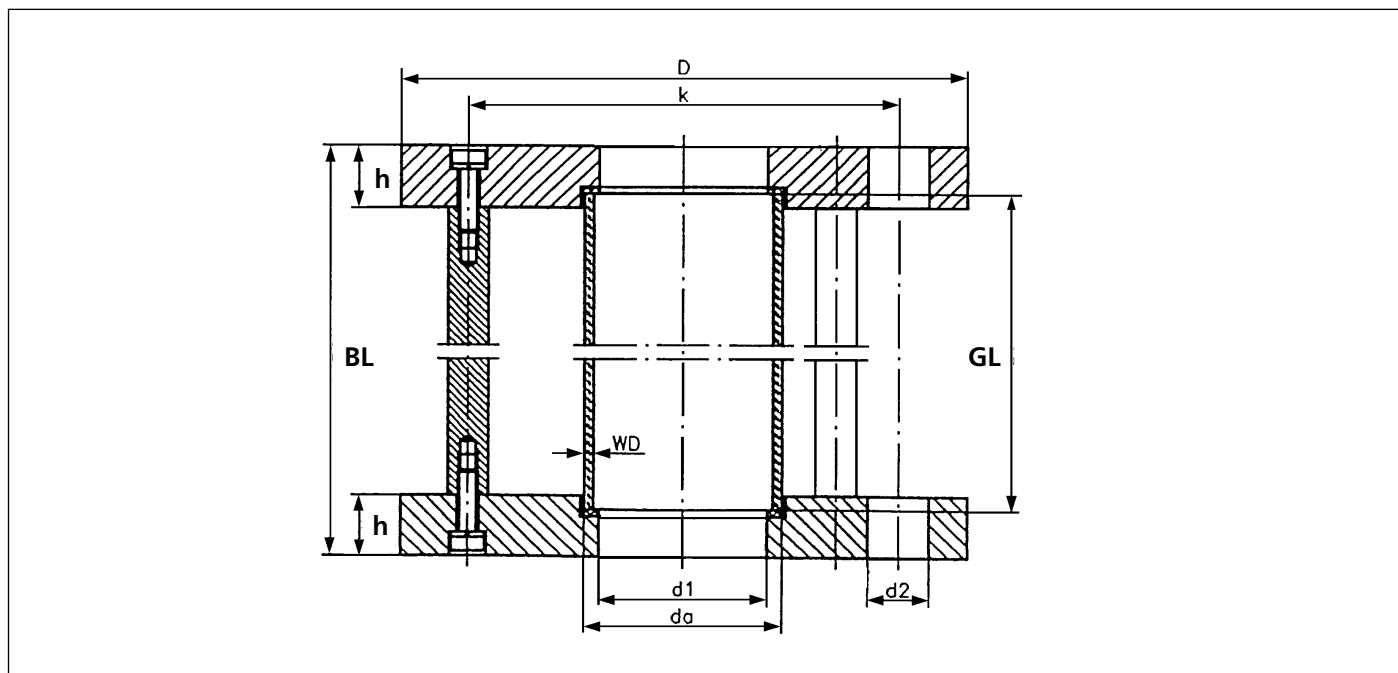


Lumiglas tubular sightglass/flow indicator



Exploded view of a Lumiglas tubular sightglass/flow indicator

• Dimensions for Lumiglas tubular sightglass/flow indicator:



Fitting		Part No.	max. pressure bar	Flanges			Conn. Bolt Hole + Securing Bolts			Glass Cylinder		
DN	BL			D	d1	h	k	No.	d2	da	WD	GL
10	130	0201.081.00	6	90	10	16	60	4	14	15	1.2	106
15	130	0201.082.00	6	95	15	16	65	4	14	18	1.2	106
20	150	0201.083.00	6	105	20	16	75	4	14	24	1.2	126
25	160	0201.084.00	6	115	25	18	85	4	14	30	1.4	132
32	180	0201.085.00	6	140	32	18	100	4	18	38	2.0	152
40	200	0201.086.00	6	150	40	18	110	4	18	48	2.3	172
50	230	0201.087.00	5.6	165	50	18	125	4	18	58	2.5	202
65	290	0201.088.00	5.6	185	65	18	145	4	18	75	3.2	262
80	310	0201.089.00	6	200	80	20	160	8	18	95	5.0	278
100	350	0201.090.00	5.3	220	100	20	180	8	18	115	5.0	318
125	400	0201.091.00	6	250	125	20	210	8	18	140	7.0	368
150	480	0201.092.00	5.0	285	150	20	240	8	22	170	7.0	448
200	600	0201.093.00	4.9	340	200	22	295	8	22	225	9.0	564

• Ordering information:

e. g. Lumiglas tubular sightglass/flow indicator DN 100, material 1.4571, borosilicate glass, 6 bar operating pressure, length over flanges 350

All dimensions in mm unless stated otherwise. Subject to change without prior notice. 11.16