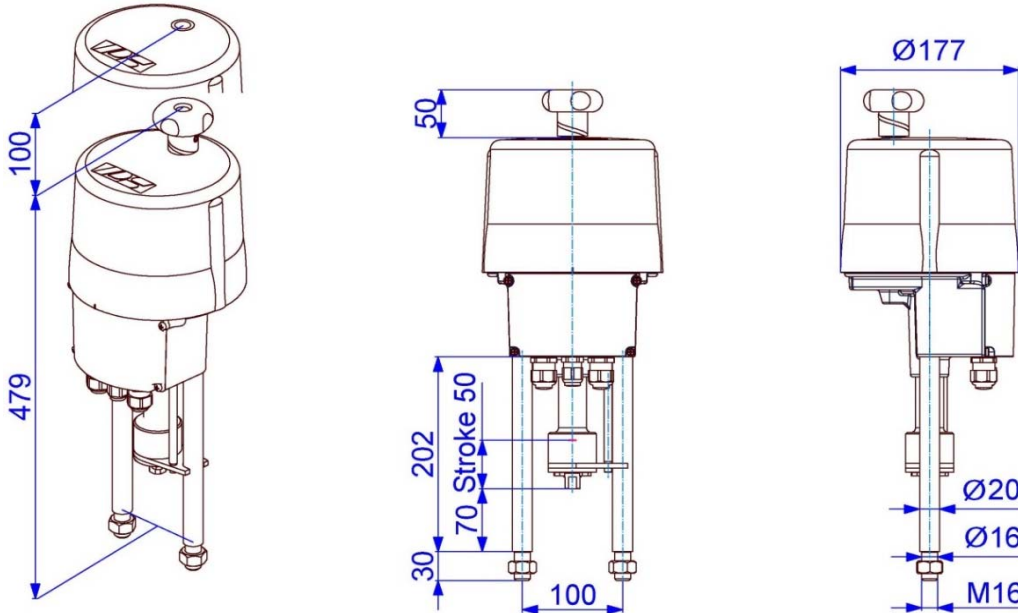


Intelligent Linear Actuator



Approx. weight: 8 kg without accessories

PSL204 AMS1x
Positioner integrated
4.5 kN Max. Force 2.25 kN max. Modulating Force) ¹
0.45 - 4.5 mm/s Speed
max. 50 mm Stroke
Modulating actuator Class C acc. to EN 15714-2
Enclosure IP65 acc. to EN 60529

Velocity	0.45 - 0.9 mm/s (adjustable)			
Power Supply [V]	230 VAC 1~	115 VAC 1~	24 VAC/DC	320...575 VAC 3~) ²
Nominal Current [A]	0.11	0.23	1.1(AC) / 0.7(DC)	0.11) ³
max. Current [A]	0.14	0.3	1.4(AC) / 0.9(DC)	0.14) ³
Power Consumption) ⁴ [W]	19	19	18(AC) / 16(DC)	28) ³
Break away force	adjustable up to + 30% nominal force			
Duty Cycle IEC 60034-1,8	S2 30min S4 50% ED @ 25°C			

**PSL204
AMS11**

Velocity	2.25 - 4.5 mm/s (adjustable)		
Power Supply [V]	230 VAC 1~	115 VAC 1~	24 VAC/DC
Nominal Current [A]	0.33	0.66	3.15(AC) / 2(DC)
max. Current [A]	0.43	0.86	4.1(AC) / 2.6(DC)
Power Consumption) ⁴ [W]	57	57	53(AC) / 48(DC)
Break away force	adjustable up to +30% nominal force		
Duty Cycle IEC 60034-1,8	S2 30min S4 50% ED @ 25°C		

**PSL204
AMS12**

Standard	Description
Ambient Temperature [°C]	-20 to +60 °C
Motor Protection	electronic motor current monitoring with safety cut-off
Set Value and Feedback	0 (4)..20 mA or 0 (2)..10 V selectable, split range operation
Binary control	24 V for ON/OFF control (min. duration of pulse 1s)
Valve Positioner Function	Integrated positioner, deadband adjustable from 0.5 .. 5%, shut-off minimum
Automatic Start-up	Recognizing the end position(s) and autoscaling set and feedback values
Internal Fault Monitoring	Torque, set value, temperature, power supply, positioning deviation etc., adjustable
Diagnostics Function	Stores cumulated operation data (motor and total running time, number of motor starts) and data sets of current values (set value, feedback value, torque, temperature and error messages)
Communication Interface	Connecting to a USB port and a software, allows data reading and parametrisation
Cable Glands	2 pcs. M20 x 1,5 and 1 pcs. M16 x 1,5

**Standard
Equipment**

)¹ = Permissible average force over the entire travel

)² = max. input voltage range

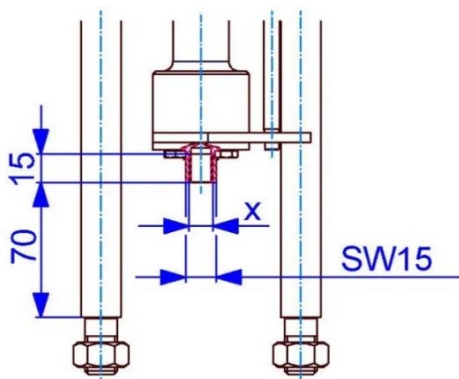
)³ = at 400 V 3 ~ and 50 Hz

)⁴ = at max. force

Electrical connection plan

1-Phasen Wechselspannung / DC 1-Phase AC / DC																	3-Phasen 3-Phase AC													
1	2	3	4	5	6	7	8	9	10	11	12	13	14	15	16	17	18	19	20	21	22	23	PE	RJ-45 TTL	Taster Button	L1	L2	L3	PE	
↕	↕	↕	↕	↕	↕	↕	↕	↕	↕	↕	↕	↕	↕	↕	↕	↕	↕	↕	↕	↕	↕	↕	↕	↕	↕	↕	↕	↕	↕	↕
+0(2) -10 V	+0(4) -20 mA	GND	+0(2) -10 V	+0(4) -20 mA	GND	24 VDC	max. Last / max. Load 100 mA bei / at 24 VDC	L+ / AUF / OPEN	N- / -	L+ / ZU / CLOSE	N- (24V AC/DC)	L+ (24V AC/DC)	24 VDC / 100 mA	+0(2) -10 V	+0(4) -20 mA	GND	(Option)	(Option)	(Option)	(Option)	(Option)	(Option)	PE	(Option)			320...575VAC	320...575VAC	320...575VAC	Schutzleiter / protective conductor
Set value input	Active position feedback	Monitor relay potential-free	Störmeldung potentialfrei	Binäre Ansteuerung	Netz- ausfall- signal	Ver- sor- gung	Istwert	Zu / Closed	Auf / Open	Wegschalter potentialfreier Kontakt	Position switch potential-free contact	Versorgungs- spannung	Feldbus- An- schluß	PC Kommu- nikation	Inbetrieb- nahme	Versorgungs- spannung	Power supply voltage	Feldbus interface	PC commu- nication	Com- missioning	Schalt- netzteil									
Galvanisch getrennt / Galvanically isolated 1 kV																	Process-Sensor										8013770 - S-217_E			

Dimensions of the PS-Standard-Adaptation



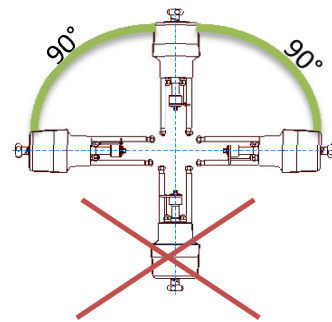
Dimensions are valid for connections M8-M12 only!

Connection Thread X

M8	Optional
M10	Optional
M12	Standard
M14	Optional
M16	Optional

Fine threaded and other sizes on request!

Mounting Position



Accessories / Options		Add'l Position Switches	2WE	Potential-free additional position switches with silver contacts (0.1 A - 5 A switching current)
		Add'l Position Switches	2WE Gold	Potential-free additional position switches with gold contacts (0.1 mA - 100 mA switching current)
		Binary Inputs	115-230VAC*	Binary input voltage of 115-230 VAC for ON/OFF control
		Fail-Safe*	PSCP	Emergency power supply based on supercapacitors, safety position OPEN, CLOSED or free defined position
		Fieldbus Interface*		Digital transmission of nominal and actual value per mill or percent, report of monitoring and diagnostic data using Profibus DP (PSPDP) or CANOpen (PSCA) interfaces, additional interfaces available on request
		Local Control*	PSC.2	Illuminated display to show the actuator status and lockable selector to switch between modes: automatic, manual process ON/OFF, STOP and parameter menu. Control buttons for manual movement, menu operation and adjustment of parameters, display of diagnostic information
		Remote Local Control		mounting separately from the actuator (incl. 10 m connection cable)
		Data Cable	PSCS-USB	USB data cable enables the communication between the actuator and a PC by using the software PSCS
		Fault Indication Relay*	FIR	potential-free opening contact provides a freely definable collective fault signal
		Fail-Safe Port*	FSP	Signal port to drive to a "safety position", selectable fail-safe position, standard 24 V
IP67		Increased enclosure IP67		
Heating Resistor	HR	Heating resistor to prevent condensation		

*not retrofittable

For more information and accessories, please visit our website www.ps-automation.com!

Subject to changes!