

Wireless Transmitter Series XYR 6000 Series 100 Absolute Pressure Specifications Model STAW14L 0 to 500 psia 0 to 35 barA

34-XY-03-45 August 2012



Introduction

Building upon the tremendously successful ST 3000 series transmitter line; Honeywell brings simple, safe, and secure wireless technology to its measurement portfolio in the XYR 6000 Series Wireless Transmitters.

The Series 100 XYR 6000 Wireless absolute pressure transmitter offers improved accuracy and performance for those critical applications that require it.

The XYR 6000 series measurements are part of the Honeywell OneWireless system and are ISA100.11a Compliant.

Measurement and information without wires! The XYR 6000 wireless transmitter series enable customers to obtain data and create information from remote and hazardous measurement locations without the need to run wires, where running wire is cost prohibitive and/or the measurement is in a hazardous location. Without wires, transmitters can be installed and operational in minutes, quickly providing information back to your system.

XYR 6000 wireless transmitters send information to an ISA100.11a compliant MESH infrastructure. Wireless Data Managers (WDM) provide the path to bring that information into Experion PKS or any other control system wirelessly via OPC client or Modbus-TCP.

Transmitter power is supplied by two “D” size lithium batteries with an expected lifetime of up to ten years. Transmitter range with the integral antenna is 1,000’ (305 m) under ideal conditions. The STAW Series Absolute Pressure transmitters can be used in applications in which high accuracy in the vacuum range of pressure is needed. Typical applications include low-pressure measurement in vacuum distillation columns, where energy savings are directly proportional to the vacuum in the column.



Figure 1 — XYR6000 Absolute Pressure Transmitter

Implement the value of wireless technology today:

- Measure remote access points simply, safe and securely
- Obtain and utilize previously inaccessible information due to high wiring cost or hazardous locations.
- Easily meet Regulatory Requirements
- Improve process efficiency
- Enhance Flexibility to monitor applications:
 - that have no access to power
 - that are remote or difficult to reach
 - that may require frequent reconfiguration
 - where manual readings have been required previously.

Specifications

Operating Conditions

Parameter	Reference Condition		Rated Condition		Operative Limits		Transportation and Storage	
	°C	°F	°C	°F	°C	°F	°C	°F
Ambient Temperature**	25±1	77±2	-40 to 85	-40 to 185	-40 to 85*	-40 to 185	-40 to 85	-40 to 185
Ambient Temperature LCD Display visible range	25±1	77±2	-40 to 80	-40 to 176				
Meter Body Temperature STAW14L***	25±1	77±2	-40 to 80	-40 to 176	-40 to 80	-40 to 176	-40 to 85	-40 to 185
Humidity % RH	10 to 55		0 to 100		0 to 100		0 to 100	
Vacuum Region - Minimum Pressure STAW14L	Operate within specifications above 25 mmHgA (33 mbarA). Short term exposure (2 hours at 70°C/158°F) to full vacuum will not result in damage.							
Maximum Allowable Working Pressure (MAWP) (XYR6000 products are rated to Maximum Allowable Working Pressure)	STA14L = 500 psia, 35 barA							
Vibration	Maximum of 4g over 15 to 200Hz.							
Shock	Maximum of 40g.							
Power	Battery powered 3.6 V Lithium thionyl chloride (LiSOCl ₂) batteries non rechargeable, size D 24 Vdc Wired Power (option) - For I.S. Application: 21 V to 25 Vdc Operated with MTL7728P+ barrier (252 Ohms Max. end to end resistance), Max input current 26mA. For Non I.S. application: 11 V to 30 Vdc Input range, Max input current 100mA.							

* 24V power option rated 80°C (176°F)

** The Ambient Limits shown are for Ordinary Non-Hazardous locations only. Refer to the appropriate Control Drawing, FM/CSA, ATEX, or IECEx for the Ambient Limits when installed in Hazardous Locations.

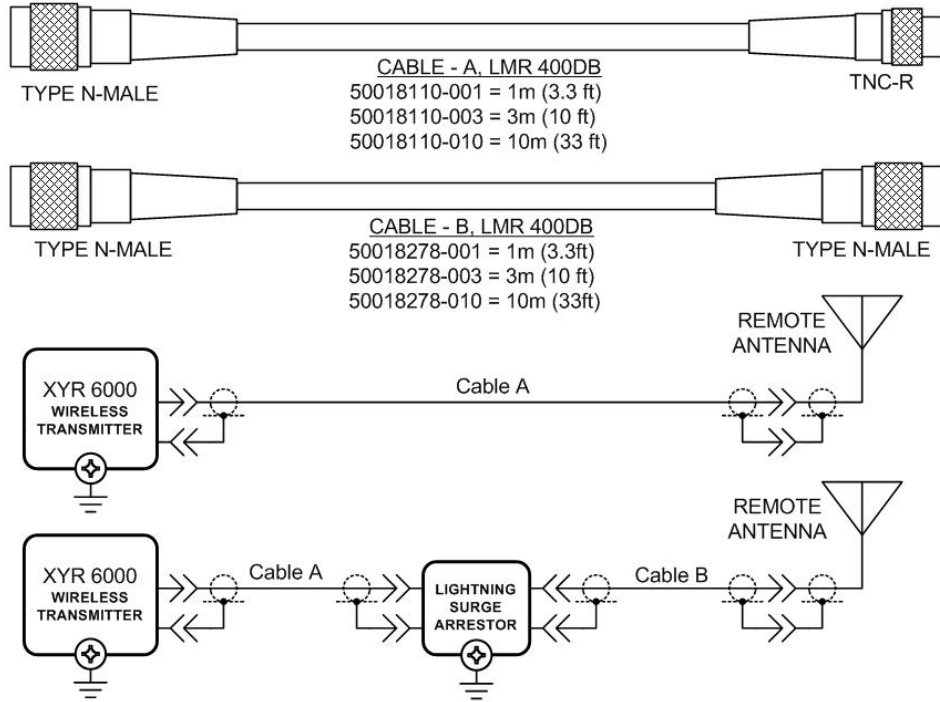
***STAW14L meter body maximum temperature specification is lower than maximum ambient specification

Wireless Specifications

Parameter	Description
Wireless Communication	<p>2,400 to 2,483.5 MHz (2.4 GHz) Industrial, Scientific and Medical (ISM) band</p> <p>DSSS Selection – Discrete Sequential Spread Spectrum per FCC 15.247 / IEEE 802.15.4–2006</p> <p>ISA100.11a Compliant (2.4 GHz Direct Sequence Spread Spectrum 802.15.4 DSSS-FH)</p> <p>Every data packet transmitted in either direction is verified (CRC check) and acknowledged by the receiving device.</p> <p>USA – FCC Certified</p> <p>Canada – IC Certified</p> <p>European Union – RTTE/ETSI Conformity</p> <p>Japan – Ministry of Internal Affairs and Communications Certified</p>
ISA100.11a RF Transmitter Power (Optional)	<p>NA Selection – 125 mW (20.9 dBm) maximum transmit power not including antenna per FCC/IC, or 400 mW (26.0 dBm) maximum EIRP including antenna for USA and Canadian locations.</p> <p>EU Selection – 10 mW (10.0 dBm) maximum EIRP including antenna per RTTE/ETSI for EU locations.</p>
DSSS RF Transmitter Power (Optional)	<p>NA Selection – 125 mW (20.9 dBm) maximum transmit power not including antenna per FCC/IC, or 400 mW (26.0 dBm) maximum EIRP including antenna for USA and Canadian locations.</p> <p>EU Selection – 10 mW (10.0 dBm) maximum EIRP including antenna per RTTE/ETSI for EU locations.</p> <p>JP Selection – 12.14 dBm/MHz [32mW (15.14 dbm)] maximum EIRP including antenna for Japanese locations.</p>
Data	<p>PV Publish Cycle Time: Configurable as 1, 5, 10, 30 or 60 seconds</p> <p>Rate: 250 Kbps</p>
Antennas	<p>Integral – 2 dBi omnidirectional monopole</p> <p>Integral – 4 dBi omnidirectional monopole</p> <p>Remote – 8 dBi omnidirectional monopole with up to 20 m cable and lightning surge arrester.</p> <p>Remote – 14 dBi directional parabolic with up to 20 m cable and lightning surge arrester.</p>
Signal Range	<p>Nominal 305 m (1,000 feet) between Field Transmitter and Infrastructure Unit (Multinode) or Gateway Unit when using 2 dBi Integral antenna with a clear line of sight.*</p> <p>Two XYR 6000 transmitters both having TX Power set to 16 dBm with a clear line of site nominal signal range is 150 m (490ft.)</p>
Routing vs Non-Routing	<p>Unit can be set as a Field Routing or non-Field Routing device; the number of routing devices is set by the system manager.</p> <p>Using the device as a routing device will impact battery life, the more messages routed through a device, the greater the impact on battery life.</p>

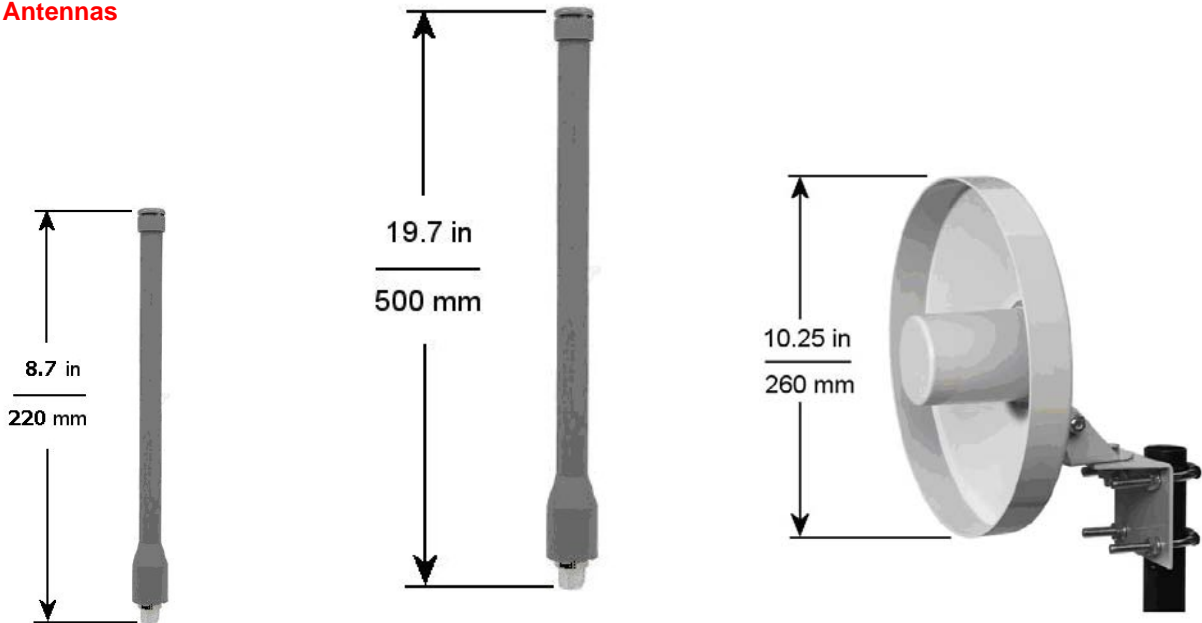
* Actual range will vary depending on antennas, cables and site topography.

Remote antenna cables



CABLE PARAMETERS			LIGHTNING SURGE ARRESTOR PARAMETERS
CABLE A, B LENGTH	CAPACITANCE	INDUCTANCE	
1 m	78.4 pF	0.2 μH	CAPACITANCE = 1 pF INDUCTANCE = 10 nH
3 m	235.2 pF	0.6 μH	
10 m	784 pF	2.0 μH	

Remote Antennas



4 dBi Omnidirectional Antenna

8 dBi Omnidirectional Antenna

14 dBi Directional Antenna

Performance under Rated Conditions* - Model STAW14L (0 to 500 psia/35 barA)

Parameter	Description
Upper Range Limit psia barA	500 35
Minimum Span psia barA	5 0.35
Zero Suppression	No limit except minimum span within 0 (zero) to +100% URL.
Accuracy (Reference – Includes combined effects of linearity, hysteresis, and repeatability) • Accuracy includes residual error after averaging successive readings.	±0.0625% of calibrated span or upper range value (URV), whichever is greater, terminal based. For URV below reference point (20 psia), accuracy equals: $\pm \left[0.0125 + 0.05 \left(\frac{20 \text{ psia}}{\text{span/ psia}} \right) \right] \text{ or } \pm \left[0.0125 + 0.05 \left(\frac{1.4 \text{ barA}}{\text{span/ barA}} \right) \right] \text{ in \% of span}$
Zero Temperature Effect per 28°C (50°F)	±0.05% of span. For URV below reference point (75 psia), effect equals: $\pm 0.05 \left(\frac{75 \text{ psia}}{\text{span/ psia}} \right) \text{ or } \pm 0.05 \left(\frac{5.25 \text{ barA}}{\text{span/ barA}} \right) \text{ in \% of span}$
Combined Zero and Span Temperature Effect per 28°C (50°F)	±0.075% of span. For URV below reference point (75 psia), effect equals: $\pm 0.025 + 0.05 \left(\frac{75 \text{ psia}}{\text{span/ psia}} \right) \text{ or } \pm 0.025 + 0.05 \left(\frac{5.25 \text{ barA}}{\text{span/ barA}} \right) \text{ in \% of span}$

* Performance specifications are based on reference conditions of 25°C (77°F), 10 to 55% RH, and 316L Stainless Steel barrier diaphragm.

Physical Specifications

Parameter	Description
Barrier Diaphragms Material	316L SS, Hastelloy ^{®1} C-276
Process Head Material	316 SS
Mounting Bracket	Carbon Steel (zinc-plated) or Stainless Steel angle bracket or Carbon Steel flat bracket available.
Fill Fluid	Silicone DC [®] 200 oil or CTFE (Chlorotrifluoroethylene)
Electronic Housing	Epoxy-Polyester hybrid paint. Low Copper-Aluminum. Meets NEMA 4X (hosedown and corrosion resistant), IP 66/67 (hosedown and submersible to 1m)
Stainless Steel Housing (option)	316 SS Electronics Housing - with M20 Conduit Connections 316 SS Housing with 1/2" NPT Conduit Connection 316 SS or Grade CF8M, the casting equivalent of 316 SS with M20 or 1/2" NPT Conduit Connection. If ordered with the Remote Antenna options, the antenna parts are not SS or Marine type cables; the integral antenna uses SS parts.
Process Connections	1/2-inch F-NPT, 1/2 inch M-NPT, 9/16 High Pressure, DIN 19213
Mounting	Can be mounted in virtually any position using the optional mounting bracket. Bracket is designed to mount on 2-inch (50 mm) vertical or horizontal pipe. See Figure 2
Dimensions	See Figure 3
Net Weight	7 pounds (3.2 kg) ²

¹ Hastelloy[®] C-276 or UNS N10276

² Add 8.0 pounds (3.6 kg) to any model equipped with the stainless steel housing option.
(Model Selection Guide Table IV selections A3 or SH)

NOTE: Pressure transmitters that are part of safety equipment for the protection of piping (systems) or vessel(s) from exceeding allowable pressure limits, (equipment with safety functions in accordance with Pressure Equipment Directive 97/23/EC article 1, 2.1.3), require separate examination.

Performance Under Rated Conditions – General

Parameter	Description
Lightning Surge Arrester (Remote antenna only)	Frequency range: 0 – 3 GHz, 50 Ohms, VSWR = 1:1.3 Max, Insertion Loss = 0.4 dB Connectors Type N Female, Max, Gas Tube Element: 90 V ± 20%, Impulse Breakdown Voltage = 1,000 V ± 20%, Maximum Withstand Current = 5 KA.
CE Conformity	These transmitters are in conformity with the protection requirements of European Council Directives: 89/336/EEC, the EMC Directive and 1999/5/EC, the Telecommunications Directive per EN 300 328, V1.6.1 (2004-11), EN 300 489-1, V1.6.1 (2005-09), EN 300 489-3, V1.4.1 (2002-08) and EN 61326-1997+A1+A2, Electrical Equipment for Measurement, Control and Laboratory Use – EMC Requirements.
Hazardous Location Certifications	See the Model Selection Guide on page 8.

Certifications

MSG CODE	AGENCY	TYPE OF PROTECTION
2C	CSA 1903673 (USA and Canada)	Intrinsically Safe: Class I; Division 1; Groups A, B, C, D; Class II, Division 1, Groups E, F, G; Class III, Division 1; T4 Class I, Zone 0 Ex ia IIC T4 Class I, Zone 0 AEx ia IIC T4
		Nonincendive: Class I; Division 2; Groups A, B, C, D; Class II, Division 2, Groups F, G; Class III, Division 2, T4 Class I, Zone 2 Ex nA IIC, T4 Class I, Zone 2 AEx nA IIC, T4
		Explosion-Proof/ Flameproof: Class I, Division 1; Groups A, B, C, D; Class II, Division 1, Groups E, F, G; Class III, Division 1; T4 Class I, Zone 1 Ex d IIC T4 Class I, Zone 1 AEx d IIC, T4
		Ambient Temperature -40 °C to +85 °C : Battery -40 °C to +80 °C : DC Supply
		Enclosure: Type 4X/ IP66
1C	FM Approvals™ 3032450 (USA)	Intrinsically Safe: Class I; Division 1; Groups A, B, C, D; Class II, Division 1, Groups E, F, G; Class III, Division 1; T4 Class I, Zone 0 AEx ia IIC T4
		Nonincendive: Class I; Division 2; Groups A, B, C, D; Class II, Division 2, Groups F, G; Class III, Division 2, T4 Class I, Zone 2 AEx nA IIC, T4
		Explosion-Proof/ Flameproof: Class I, Division 1; Groups A, B, C, D; Class II, Division 1, Groups E, F, G; Class III, Division 1; T4 Class I, Zone 1 AEx d IIC, T4
		Ambient Temperature -40 °C to +85 °C : Battery -40 °C to +80 °C : DC Supply
		Enclosure: Type 4X/ IP66

MSG CODE	AGENCY	TYPE OF PROTECTION
3C	ATEX- KEMA 08ATEX0062X	Intrinsically Safe: II 1 G Ex ia IIB T4 II 1 D Ex tD A20 IP66 T90 °C
		Flameproof: II 2 G Ex d [ia] IIB T4 II 2 D Ex tD A21 IP66 T90 °C
		Ambient Temperature -40 °C to +70 °C : Battery -40 °C to +80 °C : DC Supply
		Enclosure: IP66
C1	IECEX- CSA 09.0001X	Intrinsically Safe: Ex ia IIB T4 Ex tD A20 IP66 T90 °C
		Flameproof: Ex d [ia] IIB T4 Ex tD A21 IP66 T90 °C
		Nonincendive: Ex nA [nL] IIC T4 Ex tD A22 IP66 T90 °C
		Ambient Temperature -40 °C to +70 °C (Ex ia, Ex d) -40 °C to +84 °C (Ex nA) : Battery -40 °C to +80 °C : DC Supply
ZC	SAEx S/09-036X (South Africa)	Intrinsically Safe: Ex ia IIB T4 Ex tD A20 IP66 T90 °C
		Flameproof: Ex d [ia] IIB T4 Ex tD A21 IP66 T90 °C
		Nonincendive: Ex nA [nL] IIC T4 Ex tD A22 IP66 T90 °C
		Ambient Temperature -40 °C to +70 °C (Ex ia, Ex d) -40 °C to +84 °C (Ex nA) : Battery -40 °C to +80 °C : DC Supply
6C	INMETRO NCC 11.0331 X (BRAZIL)	Intrinsically Safe: Ex ia IIB T4 Ga
		Flameproof: Ex d [ia] IIB T4 Ex tb IIIC T90 °C IP66
		Nonincendive: Ex nA [ic] IIC T4 Ex tc IIIC T90 °C IP66
		Ambient Temperature -40 °C to +70 °C (Ex ia, Ex d) -40 °C to +84 °C (Ex nA) : Battery -40 °C to +80 °C : DC Supply
		Enclosure: IP66

Electrical Data

Battery

Two in series connected (D size) Lithium batteries, type TL 5930/s manufactured by Tadiran, type XL-205F manufactured by Zeno Energy or type PT-2300H manufactured by Eagle Picher. Additionally for ATEX and IECEx certifications, Lithium Battery SL-2780, manufactured by Tadiran, GmbH may be used.

DC Supply

For Ordinary Locations, Explosion-proof and Non Incendive:
16.0 V min to 28.0 V max, Current = 100 mA

For Intrinsically Safe:

A Barrier, MTL 728P+ or MTL 7728P+ mounted in a suitable enclosure, or in a non-hazardous location is needed, see Agency Certification drawings in Section 6.

Mounting

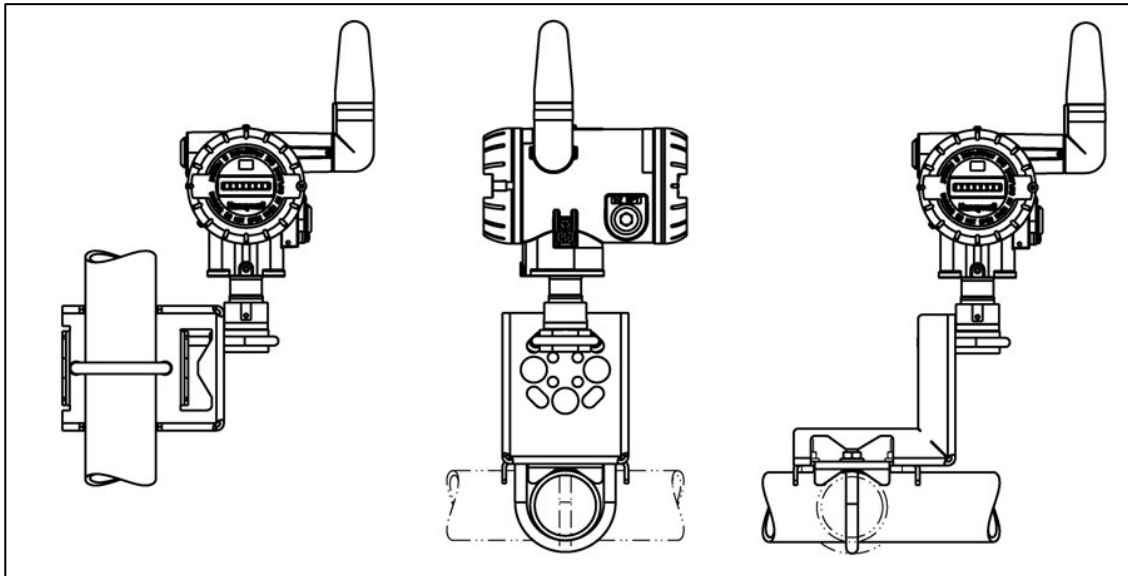


Figure 2 - Examples of typical mounting positions for in-line models

Dimensions

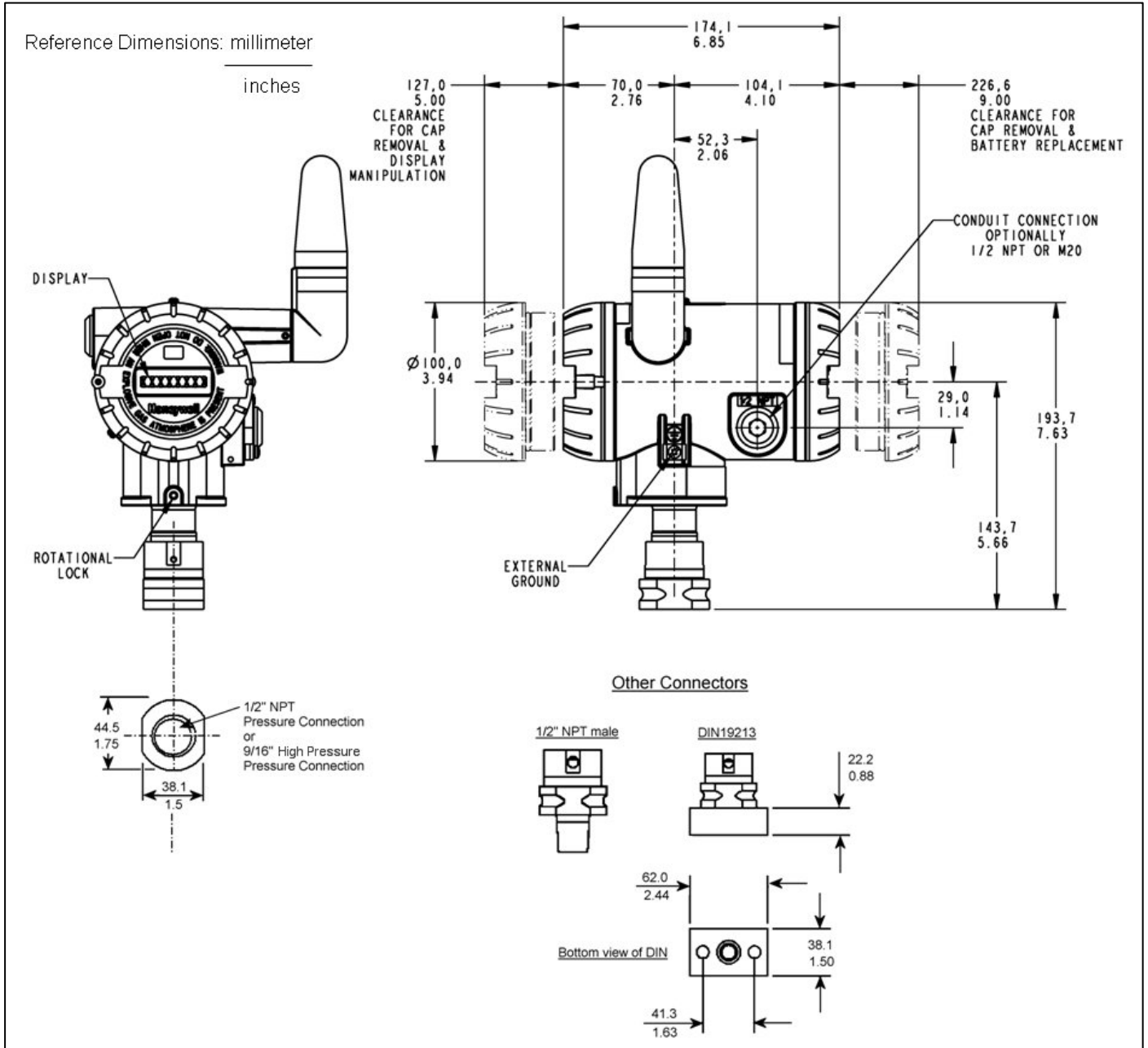


Figure 3 - Typical mounting dimensions for in-line models

Options

Mounting Bracket

The angle mounting bracket is available in either zinc-plated carbon steel or stainless steel and is suitable for horizontal or vertical mounting on a two inch (50 millimeter) pipe, as well as wall mounting. An optional flat mounting bracket is also available in carbon steel for two inch (50 millimeter) pipe mounting.

Tagging (Option TG)

Up to 30 characters can be added on the stainless steel nameplate mounted on the transmitter's electronics housing at no extra cost. A stainless steel wired on tag with additional data of up to 4 lines of 28 characters is also available. The number of characters for tagging includes spaces.

Transmitter Configuration

All configurable parameters are accessible via the OneWireless network via READ/WRITE transactions.

Sales and Service

For application assistance, current specifications, pricing, or name of the nearest Authorized Distributor, contact one of the offices below.

ASIA PACIFIC

(TAC)

hfs-tac-support@honeywell.com

Australia

Honeywell Limited
Phone: +(61) 7-3846 1255
FAX: +(61) 7-3840 6481
Toll Free 1300-36-39-36
Toll Free Fax:
1300-36-04-70

China – PRC - Shanghai

Honeywell China Inc.
Phone: (86-21) 5257-4568
Fax: (86-21) 6237-2826

Singapore

Honeywell Pte Ltd.
Phone: +(65) 6580 3278
Fax: +(65) 6445-3033

South Korea

Honeywell Korea Co Ltd
Phone: +(822) 799 6114
Fax: +(822) 792 9015

EMEA

Honeywell Process Solutions,
Phone: + 80012026455 or +44
(0)1202645583
FAX: +44 (0) 1344 655554

Email: (Sales)

sc-cp-apps-salespa62@honeywell.com

or

(TAC)
hfs-tac-support@honeywell.com

NORTH AMERICA

Honeywell Process Solutions,
Phone: 1-800-423-9883
Or 1-800-343-0228

Email: (Sales)

ask-ssc@honeywell.com

or

(TAC)
hfs-tac-support@honeywell.com

SOUTH AMERICA

Honeywell do Brasil & Cia
Phone: +(55-11) 7266-1900
FAX: +(55-11) 7266-1905

Email: (Sales)

ask-ssc@honeywell.com

or

(TAC)
hfs-tac-support@honeywell.com

Model Selection Guides are subject to change and are inserted into the specifications as guidance only. Prior to specifying or ordering a model check for the latest revision Model Selection Guides which are published at:

<http://hpsweb.honeywell.com/Cultures/en-US/Products/Instrumentation/ProductModelSelectionGuides/default.htm>

Model Selection Guide (34-XY-16-22)

34-XY-16U-22
Issue 1
Page 1 of 4

XYR 6000 Wireless Transmitter In-Line Gage & Absolute Pressure Series 100

Model Selection Guide



Instructions

- Select the desired Key Number. The arrow to the right marks the selection available.
- Make one selection from each table, I II and III, using the column below the proper arrow .
- Select as many Table IV options as desired (if no options or approvals are desired, specify 9X).
- A (♦) denotes unrestricted availability. A letter denotes restricted availability.
Restrictions follow Table VI.

Key Number I II III IV V VI
 [STGW_] - [] - [00000] - [] - [] - [] - XXXX

KEY NUMBER	Span	Selection		Availability	
Gage Pressure	0-20 to 0-500 psig/0-1.4 to 0-35 bar	STGW14L	↓		
	0-300 to 0-3000 psig/0-21 to 0-210 bar	STGW17L	↓		
In-Line Design	0-500 to 0-6000 psig/0-35 to 0-415 bar	STGW18L	↓		
	0-500 to 0-10000 psig/0-35 to 0-690 bar	STGW19L			↓
Abs Pressure	0-20 to 0-500 psia/0-1.4 to 0-35 barA (In-Line Design)	STAW14L	↓		

TABLE I - METER BODY

Material of Construction	Wetted Adapter Material	Barrier Diaphragms	Selection		
		316 SS	316L SS	E _ _	•
	316 SS	Hastelloy C ¹	F _ _	•	•
Fill Fluid	Silicone		_ 1 _	•	•
	CTFE		_ 2 _	•	•
Process Connection Configuration	9/16" - 18 High Pressure		_ _ A	•	•
	1/2" NPT (female)		_ _ G	•	•
	1/2" NPT (male)		_ _ H	•	•
	DIN 19213		_ _ D	•	•

TABLE II

No Selection	00000	•	•
--------------	-------	---	---

¹ Hastelloy® C-276 or UNS N10276

34-XY-16U-22
Issue 1
Page 2 of 4

Availability
STGW19L
STGW14L, 17L, 18L, STAW14L
↓ ↓

TABLE III - ANTENNA OPTIONS

		Selection	↓	↓
Antennas	Integral Right-angle, vertical 2dBi	V _ _ _ _	d	d
	Integral Straight, horizontal 2dBi	S _ _ _ _	d	d
	Integral Right-angle, vertical 4dBi	R _ _ _ _	d	d
	Remote Omnidirectional, 8 dBi	M _ _ _ _	e	e
	Remote Directional, 14 dBi	D _ _ _ _	e	e
	Remote Antenna Adapter, Type N Connection	A _ _ _ _	d	d
Cable A for Remote Antenna	None	_ 0 0 _	•	•
	1.0m remote Cable A, Type N (Req'd to connect to XYR 6000)	_ 2 1 _	•	•
	3.0m remote Cable A, Type N (Req'd to connect to XYR 6000)	_ 2 3 _	•	•
	10.0m remote Cable A, Type N (Req'd to connect to XYR 6000)	_ 2 9 _	•	•
Cable B for Remote Antenna w/Accessories*	None	_ _ _ 0 0	•	•
	Accessory + 1.0m Cable B to Antenna, N - N	_ _ _ 0 1	•	•
	Accessory + 3.0m Cable B to Antenna, N - N	_ _ _ 0 3	•	•
	Accessory + 10.0m Cable B to Antenna, N - N	_ _ _ 1 0	•	•

*See Supplemental Accessories

TABLE IV - OPTIONS

Radio Options	(Must choose a Radio Option)			
2.4 GHz Direct Sequence Spread Spectrum (802.15.4 DSSS)	XD	•	•	b
ISA 100.11a Compliant (2.4 GHz Direct Sequence Spread Spectrum 802.15.4 DSSS-FH)	XS	•	•	
Power Option	(Must choose Power Option)			
Battery Holder Only - No Battery Included	00	•	•	b
Battery Power	BA	•	•	
24VDC	DC	•	•	
Transmitter Housing & Electronics Options				
Custom Calibration and I.D. in Memory	CC	•	•	b
Transmitter Configuration and ID in Memory	TC	•	•	
M20 Conduit Thread (1/2" NPT is standard)	A1	f	f	b
1/2" NPT to 3/4" NPT 316 SS Conduit Adapter	A2	g	g	
316 SS ^{1,2} Electronics Housing - with M20 Conduit Connections	SH	•	•	b
316 SS ^{1,2} Housing with 1/2" NPT Conduit Connection	A3	•	•	
Stainless Steel Customer Wired-On Tag (4 lines, 28 characters per line, customer supplied information)	TG	•	•	b
Stainless Steel Customer Wired-On Tag (blank)	TB	•	•	
End Cap Warning Label in Spanish	SP	•	•	b
End Cap Warning Label in Portuguese	PG	•	•	
End Cap Warning Label in Italian	TL	•	•	
End Cap Warning Label in German	GE	•	•	
Transmitter Mounting Brackets Options				
Mounting Bracket - Carbon Steel	MB	•	•	b
Mounting Bracket - 304 SS	SB	•	•	
Flat Mounting Bracket - Carbon Steel	FB	•	•	
Services/Calibration/Conformance Options				
User's Manual Paper Copy	UM	•	•	b
Clean Transmitter for Oxygen or Chlorine Service with Certificate	0X	h	h	
Over-Pressure Leak Test with F3392 Certificate	TP	•	•	
Calibration Test Report and Certificate of Conformance (F3399)	F1	•	•	
Certificate of Conformance (F3391)	F3	•	•	
Certificate Options				
Certificate of Origin (F0195)	F5	•	•	b
NACE Certificate (F0198)	F7	•	•	
Material Traceability Certificate per EN 10204 3.1 (FC33341)	FX	•	•	
Warranty Options				
Additional Warranty - 1 year	W1	•	•	b
Additional Warranty - 2 years	W2	•	•	

¹ Supplied as 316 SS or as Grade CF8M, the casting equivalent of 316 SS.

² If ordered with Remote Antenna option, Table III Selection M _ _ _ _ or D _ _ _ _ , antenna parts are not SS or Marine type cables

34-XY-16U-22

Issue 1

Page 3 of 4

Availability
STGW19L
STGW14L, 17L, 18L, STAW14L

Selection ↓ ↓

Approval Body	Approval Type	Location or Classification			
No hazardous location approvals			9X	•	•
FM	Intrinsically Safe	Class I, II, III, Div. 1, Groups A,B,C,D,E,F,G; T4, Ta ≤ 85°C; Type 4X Class I, AEx ia IIC; T4, Ta ≤ 85°C, Zone 0; IP66	1C	•	•
	Explosion-proof	Class I, Div. 1, Groups A,B,C,D; Cl II, Div. 1, Groups E, F & G; Cl III, Div. 1, T4, Ta ≤ 85°C; Type 4X Class I, AEx d IIC; T4, Ta ≤ 85°C, Zone 1; IP66			
	Nonincendive	Class I, Div. 2, Groups A,B,C,D; T4, Ta ≤ 85°C; Type 4X			
	Non-Sparking	Class I, AEx nA IIC; T4, Ta ≤ 85°C, Zone 2; IP66			
CSA cus	Nonincendive	Nonincendive, CL I, Div 2, Groups A,B,C & D, CL II & III, Div 2, Groups F & G, T4 Ta = 85°C	2N	•	•
	Non-Sparking	Class I, Ex/AEx nA IIC; T4, Ta ≤ 85°C, Zone 2; IP66			
	Intrinsically Safe	Class I, Div. 1, Gp A,B,C,D; Class II, Div 1, Gp E,F,G; Class III, Div 1; T4, Ta ≤ 85°C; Type 4X Class I, Ex/AEx ia IIC; T4, Ta ≤ 85°C, Zone 0; IP66	2C	•	•
	Explosion-proof	Class I, Div. 1, Groups A,B,C,D; Class II, Div. 1, Groups E, F & G; Class III, Div. 1, T4, Ta ≤ 85°C; Type 4X Class I, Ex/AEx d IIC; T4, Ta ≤ 85°C, Zone 1; IP66			
	Nonincendive	Class I, Div. 2, Groups A,B,C,D; T4, Ta ≤ 85°C; Type 4X			
Non-Sparking	Class I, Ex/AEx nA IIC; T4, Ta ≤ 85°C, Zone 2; IP66				
ATEX	Intrinsically Safe	⊕ II 1 GD; Ex ia IIB; T4, Ta ≤ 70°C, Zone 0; IP66 Ex tD A20 IP66 T90°C	3U	•	•
	Flameproof	⊕ II 2 GD; Ex d [ia] IIB; T4, Ta ≤ 70°C, Zone 1; IP66 Ex tD A21 IP66 T90°C	3B	•	•
	Non-Sparking	⊕ II 3 GD; Ex nA [nL] IIC; T4, Ta ≤ 84°C, Zone 2 Ex tD A22 IP66 T90°C	3Y	•	•
	Intrinsically Safe	⊕ II 1 GD; Ex ia IIB; T4, Ta ≤ 70°C, Zone 0; IP66 Ex tD A20 IP66 T90°C	3C*	•	•
	Flameproof	⊕ II 2 GD; Ex d [ia] IIB; T4, Ta ≤ 70°C, Zone 1; IP66 Ex tD A21 IP66 T90°C			
	Non-Sparking	⊕ II 3 GD; Ex nA [nL] IIC; T4, Ta ≤ 84°C, Zone 2 Ex tD A22 IP66 T90°C			
IECEX Australia & New Zealand	Intrinsically Safe	Ex ia IIB; T4, Ta ≤ 70°C, Zone 0; IP66 Ex tD A20 IP66 T90°C	CU	•	•
	Flameproof	Ex d [ia] IIB; T4, Ta ≤ 70°C, Zone 1; IP66 Ex tD A21 IP66 T90°C	CB	•	•
	Non-Sparking	Ex nA IIC; T4, Ta ≤ 84°C, Zone 2; IP66 Ex tD A22 IP66 T90°C	CY	•	•
	Intrinsically Safe	Ex ia IIB; T4, Ta ≤ 70°C, Zone 0; IP66 Ex tD A20 IP66 T90°C	C1*	•	•
	Flameproof	Ex d [ia] IIB; T4, Ta ≤ 70°C, Zone 1; IP66 Ex tD A21 IP66 T90°C			
	Non-Sparking	Ex nA [nL] IIC; T4, Ta ≤ 84°C, Zone 2; IP66 Ex tD A22 IP66 T90°C			
SAEx South Africa	Intrinsically Safe	Ex ia IIB; T4, Ta ≤ 70°C, Zone 0; IP66 Ex tD A20 IP66 T90°C	ZU	•	
	Flameproof	Ex d [ia] IIB; T4, Ta ≤ 70°C, Zone 1; IP66 Ex tD A21 IP66 T90°C	ZB	•	
	Non-Sparking	Ex nA [nL] IIC; T4, Ta ≤ 84°C, Zone 2; IP66 Ex tD A22 IP66 T90°C	ZY	•	
	Intrinsically Safe	Ex ia IIB; T4, Ta ≤ 70°C, Zone 0; IP66 Ex tD A20 IP66 T90°C	ZC*	•	
	Flameproof	Ex d [ia] IIB; T4, Ta ≤ 70°C, Zone 1; IP66 Ex tD A21 IP66 T90°C			
	Non-Sparking	Ex nA [nL] IIC; T4, Ta ≤ 84°C, Zone 2; IP66 Ex tD A22 IP66 T90°C			
INMETRO Brazil	Intrinsically Safe	Ex ia IIC; T4, Ta ≤ 85°C, Zone 0; IP 66	6C*		
	Flameproof	Ex d IIC; T4, Ta ≤ 85°C, Zone 1; IP 66			
	Non-Sparking	Ex nA IIC; T4, Ta ≤ 85°C, Zone 2; IP 66			

* The user must determine the type of protection required for installation of the equipment. The user shall then check the box [√] adjacent to the type of protection used on the equipment certification nameplate. Once a type of protection has been checked on the nameplate, subsequently the equipment shall not be reinstalled using any of the other certification types.
WARNING – Division 2 / Zone 2 apparatus may only be connected to processes classified as non-hazardous or Division 2 / Zone 2. Connection to hazardous (flammable or ignition capable) Division 1 / Zone 0, or 1 process is not permitted.

34-XY-16U-22
 Issue 1
 Page 4 of 4

Availability
 STGW19L
 STGW14L, 17L, 18L, STAW14L

TABLE V

Country	(Must Choose a Country Code)	Country Code	STGW19L	STGW14L, 17L, 18L, STAW14L
North America, Canada		NA00	•	•
European Union		EU00	•	•
Japan		JP00	m	m
Brazil		BZ00	•	•

TABLE VI

Factory Identification	Selection
	XXXX

RESTRICTIONS

Restriction	Available Only With		Not Available With	
	Table	Selection	Table	Selection
b	Select only one option from this group			
d	III	_ 00 __, __ _ 00		
e			III	_ 00 __
f			IV	SH, A3
g			IV	BA, SH, A1
h	I	_ 2 _		
m	IV	9X		

Supplemental Accessories & Kits

Description	Part Number
1/2 NPT Socket Plug (ZN Plated CS)	50021832-001
1/2 NPT Certified Conduit Plug (SS)	50021832-002
M20 Certified Conduit Plug (SS)	50000547-001
M20 Conduit Plug (ZN Plated CS)	50000547-002
Surge Diverter*	50018279-090
Lithium Thionyl Chloride Batteries (Qty 2)	50026010-501
Lithium Thionyl Chloride Batteries (Qty 4)	50026010-502
Lithium Thionyl Chloride Batteries (Qty 10)	50026010-503

* Surge Diverter Accessory supplied with Table III, Selections XXX01, XXX03, XXX10

OneWireless and XYR are trademarks and Experion is a registered trademark of Honeywell International Inc.

Specifications are subject to change without notice.

For More Information

Learn more about how Honeywell's Wireless Transmitter Absolute Pressure Model can provide simple, safe, and secure wireless technology, visit our website www.honeywellprocess.com or contact your Honeywell account manager.

Honeywell Process Solutions

1860 West Rose Garden Lane

Phoenix, Arizona 85027

Tel: 1-800-423-9883 or 1-800-343-0228

www.honeywellprocess.com

34-XY-03-45

August 2012

© 2012 Honeywell International Inc.

The Honeywell logo is displayed in a bold, red, sans-serif font.