

# Intelligent Linear Actuator

**PSL202  
AMS11**

**Positioner integrated**

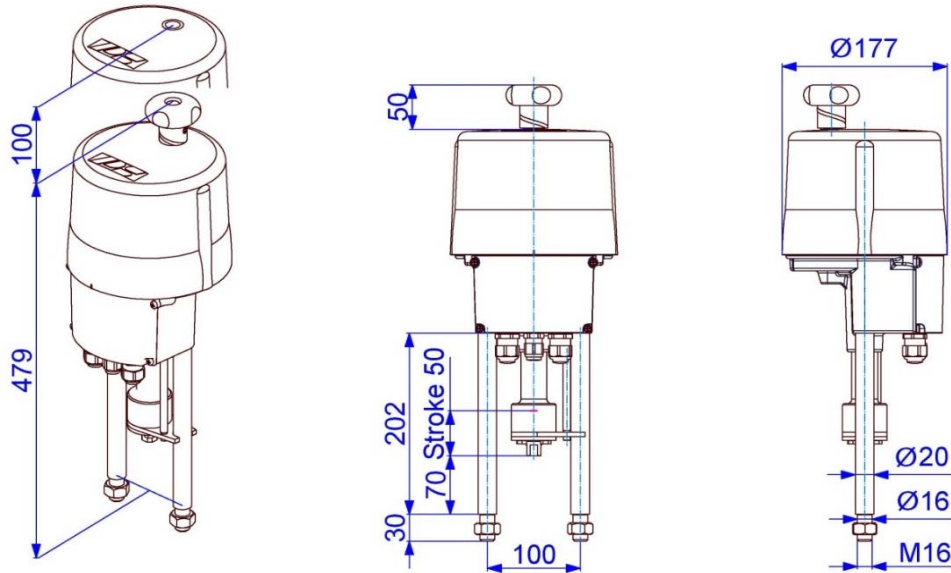
**2.3 kN**  
Max. Force  
1.2 kN max. Modulating Force )<sup>1</sup>

**0.45 - 0.9 mm/s**  
Velocity

**max. 50 mm**  
Stroke

Modulating actuator  
Class C  
acc. to EN 15714-2

**Enclosure IP65**  
acc. to EN 60529



**Approx. weight: 8 kg without accessories**

Velocity	0.45 - 0.9 mm/s (adjustable)			
Power Supply [V]	230 VAC 1~	115 VAC 1~	24 VAC/DC	320...575 VAC 3~ ) <sup>2</sup>
Nominal Current [A]	0.07	0.15	0.7(AC) / 0.4(DC)	0.08 ) <sup>3</sup>
max. Current [A]	0.1	0.2	0.9(AC) / 0.6(DC)	0.11 ) <sup>3</sup>
Power Consumption ) <sup>4</sup> [W]	13	13	12(AC) / 11(DC)	22 ) <sup>3</sup>
Break Away Force	adjustable up to + 30% nominal force			
Duty Cycle IEC 60034-1,8	S2 30min S4 50% ED @ 25°C			

**PSL202  
AMS11**

Standard	Description
Ambient Temperature [°C]	-20 to +60 °C
Motor Protection	electronic motor current monitoring with safety cut-off
Set Value and Feedback	0 (4)..20 mA or 0 (2)..10 V selectable, split range operation
Binary control	24 V for ON/OFF control (min. duration of pulse 1s)
Valve Positioner Function	Integrated positioner, deadband adjustable from 0.5 .. 5%, shut-off minimum
Automatic Start-up	Recognizing the end position(s) and autoscaling set and feedback values
Internal Fault Monitoring	Torque, set value, temperature, power supply, positioning deviation etc., adjustable
Diagnostics Function	Stores cumulated operation data (motor and total running time, number of motor starts) and data sets of current values (set value, feedback value, torque, temperature and error messages)
Communication Interface	Connecting to a USB port and a software, allows data reading and parametrisation
Cable Glands	2 pcs. M20 x 1,5 and 1 pcs. M16 x 1,5

**Standard  
Equipment**

)<sup>1</sup> = Permissible average force over the entire travel

)<sup>2</sup> = max. input voltage range

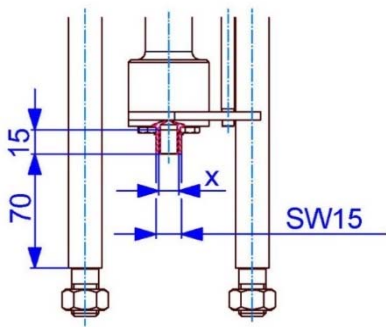
)<sup>3</sup> = at 400 V 3~ and 50 Hz

)<sup>4</sup> = at max. force

Electrical connection plan

1-Phasen Wechselspannung / DC 1-Phase AC / DC																	3-Phasen 3-Phase AC												
1	2	3	4	5	6	7	8	9	10	11	12	13	14	15	16	17	18	19	20	21	22	23		RJ-45 TTL	Taster Button	L1	L2	L3	PE
↕	↕	↕	↕	↕	↕	↕	↕	↕	↕	↕	↕	↕	↕	↕	↕	↕	↕	↕	↕	↕	↕	↕	↕			↕	↕	↕	↕
+ (0/4) - 20 mA + (0/2) - 10 V	GND	GND	+ (0/4) - 20 mA + (0/2) - 10 V	GND	GND	↕	max. Last! / max. Load 100 mA bei / at 24 VDC	L+/AUF/OPEN	N- /ZU/CLOSE	L+ (24V AC/DC)	N- (24V AC/DC)	24 VDC / 100 mA	+ (0/2) - 10 V	+ (0/4) - 20 mA	GND	GND	Zu / Closed	Auf / Open	(Option)	(Option)	(Option)	(Option)	PE (Option)			320...575VAC	320...575VAC	320...575VAC	Schutzleiter / protective conductor
Sollwert- Eingang	Aktive Positions- rückmeldung	Störmeldung potentialfrei	Aktive position feedback	Monitor relay potential-free	Binäre Ansteuerung	Binäre input signals	Netz- ausfall- signal	Fail safe signal	Ver- sor- gung	Istwert	Wegschalter potentialfreier Kontakt	Position switch potential-free contact	Versorgungs- spannung	Feldbus- Anschluss	PC Kommun- ikation	Inbetrieb- nahme										Versorgungs- spannung	Power supply voltage		
Galvanisch getrennt / Galvanically isolated 1 kV																	Process-Sensor				8013770 - S-217_E				Schaltnetzteil				

Dimensions of the PS-Standard-Adaptation



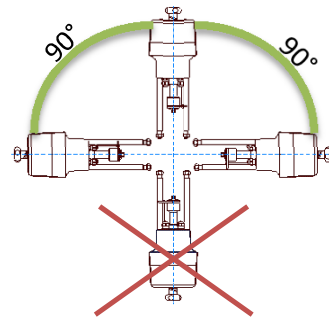
Connection Thread X

M8	Optional
M1	Optional
M1	Standard
M1	Optional
M1	Optional

Fine threaded and other sizes on request!

Dimensions are valid for connections M8-M12 only!

Mounting Position



Accessories / Options

Add'l Position Switch	2WE	Potential-free additional position switches with silver contacts (0.1 A - 5 A switching current)
Add'l Position Switch	2WE Gold	Potential-free additional position switches with gold contacts (0.1 mA - 100 mA switching current)
Binary Inputs 115-230VAC*		Binary input voltage of 115-230 VAC for ON/OFF control
Fail-Safe*	PSCP	Emergency power supply based on supercapacitors, safety position OPEN, CLOSED or free defined position
Fieldbus Interface*		Digital transmission of nominal and actual value per mill or percent, report of monitoring and diagnostic data using Profibus DP (PSPDP) or CANOpen (PSCA) interfaces, additional interfaces available on request
Local Control*	PSC.2	Illuminated display to show the actuator status and lockable selector to switch between modes: automatic, manual process ON/OFF, STOP and parameter menu. Control buttons for manual movement, menu operation and adjustment of parameters, display of diagnostic information
Remote Local Control		mounting separately from the actuator (incl. 10 m connection cable)
Data Cable	PSCS-USB	USB data cable enables the communication between the actuator and a PC by using the software PSCS
Fault Indication Relay	FIR	potential-free opening contact provides a freely definable collective fault signal
Fail-Safe Port*	FSP	Signal port to drive to a "safety position", selectable fail-safe position, standard 24 V
IP67		Increased enclosure IP67
Heating Resistor	HR	Heating resistor to prevent condensation

\*not retrofittable

For more information and accessories, please visit our website [www.ps-automation.com](http://www.ps-automation.com)!

Subject to changes!