

## HAVDTXX-EU Series of Duct Airflow Transmitter



The HAVDT series is intended for use in commercial environments. It is designed with a duct mount probe and adjustable collar suitable for round or rectangular ducts. The transmitter provides separate readings for air velocity and temperature. It comes with three measurement ranges in a single device (0–2 m/s, 0–10 m/s, 0–20 m/s).

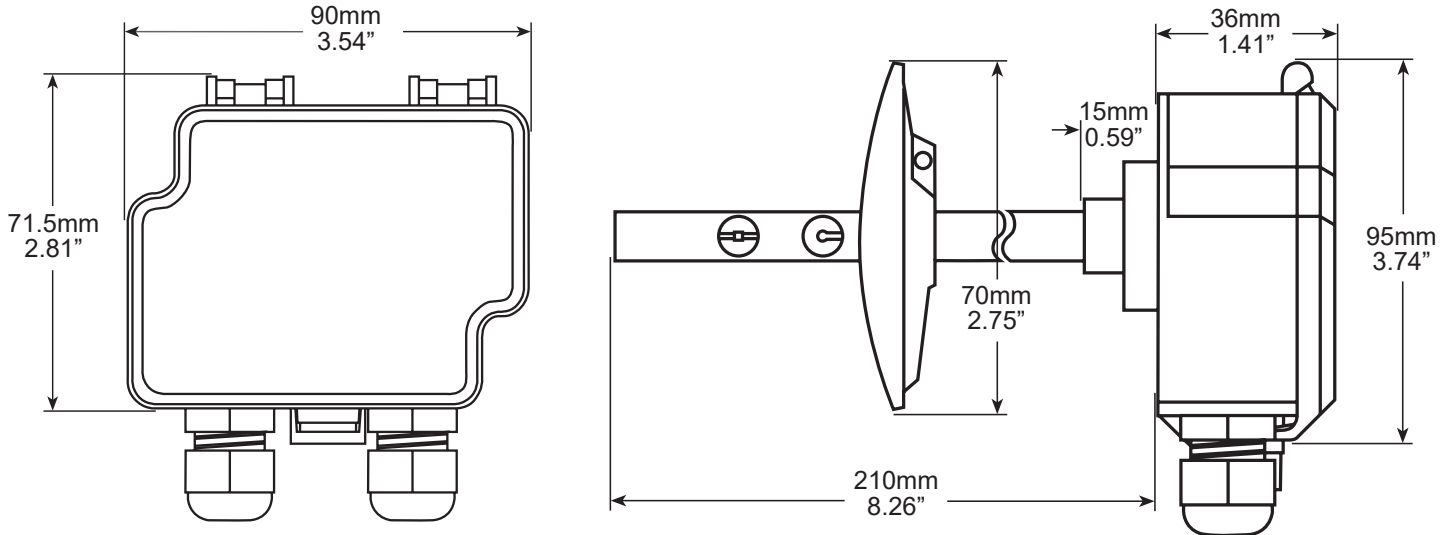
### APPLICATIONS

The HAVDT duct mount air velocity transmitter is designed for use with electronic controllers in domestic or commercial heating and cooling systems.

### SPECIFICATIONS

Velocity Ranges:.....	0-2m, 10 & 20m/s	Dimensions:.....	<b>Case:</b> 90mm W x 71.5mm H x 36mm D (3.5" x 2.8" x 1.4")
Metric Velocity Accuracy:.....	<b>Range - 0...2 m/s:</b> <0.2 m/s + 5% from reading <b>Range - 0...10 m/s:</b> <0.5 m/s + 5% from reading <b>Range - 0...20 m/s:</b> <1.0 m/s + 5% from reading		<b>Probe:</b> OD 10mm (0.394"), length 210mm (8.26") from bottom of cover
Thermal Shift: .....	±0.8 %FS / °C	Mounting:.....	Mounting flange, Ø4mm (11/64")
Calibration: .....	Units calibrated at 22°C (71.6°F) Rapid thermal shift stabilization time 10 min.	Insertion Lenth:.....	Adjustable 50-180mm (2"-7.08") with Flange
Temperature Range:.....	0 to 50°C (32 to 122°F)	Electrical Connections....	Power Supply & Signal Out: 4-screw terminal block 12-24 AWG (0.2-1.5mm <sup>2</sup> ) Relay Out: 3-screw terminal block 12-24 AWG (0.2-1.5 mm <sup>2</sup> )
Temperature Accuracy:.....	<0.5°C for velocity >0.5 m/s (<0.9°F for V > 100 fpm)	Cable Entry.....	M16 (0.625") cable gland
Operating Conditions:.....	0 to 50°C (32 to 122°F), 0 to 95 %RH, non-condensing	Weight .....	220g (7.76oz)
Storage Temperature:.....	-20 to 70°C (-2 to 158°F)	Approvals.....	CE, RoHS
Media Compatibility: .....	Dry air or non-aggressive gases	Country of Origin .....	Finland
Output Signal 1 (Tout):.....	0-10 V (linear to temperature) L min 1K Ω 4-20 mA (linear to temperature) L max 200 Ω		
Output Signal 2 (Vout): .....	0-10 V (linear to m/s) L min 1K Ω 4-20 mA (linear to m/s) L max 400 Ω		
Power Supply: .....	24 Vdc / 24 Vac ±10%		
Current Consumption: .....	<b>Current:</b> 75 mA (90 mA with relay) <b>Voltage:</b> 35 mA (90 mA with relay)		
Enclosure:.....	<b>Case:</b> ABS <b>Cover:</b> Polycarbonate <b>Ratings:</b> IP54 (NEMA 3) <b>Probe:</b> 304 series stainless steel <b>Mounting Flange:</b> LLPDP		

# HAVDTXX-EU Series of Duct Airflow Transmitter



Honeywell Building Solutions

Honeywell

North America:

1985 Douglas Drive North  
Golden Valley, MN 55422-3992  
+1-800-345-6770, ext. 606

Europe, Middle East, Africa & India:

Honeywell House  
Arlington Business Park  
Bracknell, United Kingdom RG12 1EB  
+44-(0)1344-656000

North Asia:

Zhang Jiang Hi-Tech Park  
No. 430 Li Bing Rd., Pudong New Area,  
Shanghai, 201203, China  
+86-21-2894-2000

South Asia Pacific:

2 Richardson Place  
Sydney NSW 2113  
+612-9353-7000

[www.honeywell.com](http://www.honeywell.com)

ORDERING: HAVDTXX-EU

Printed on recycled paper containing  
15% post-consumer waste.



April 2021  
© 2021 Honeywell International Inc.

## Honeywell

 INSTRUMENT TEAM AS

Tlf: 67 150 250 Faks: 67 150 251  
Mail: [post@instrumentteam.no](mailto:post@instrumentteam.no)  
Web: [www.instrumentteam.no](http://www.instrumentteam.no)