

Lumistar Luminaire ESL 53-LED

ESL 53-LED-KS: for general use with hinged bracket

ESL 53-LED-B: special sterile version for flange attachment for fitting over flanges, collars, etc.

- **For mounting on sight glass fittings:**

This sight glass luminaire is designed for universal applications and is ideal either in combined sight and light ports (single-flange version) or with separate ports (two-flange version).

- **Compact design, powerful light output:**

Glare-free illumination; fits circular sight glass fittings similar to DIN 28120/DIN 28121, screw-type sight glass fittings similar to DIN 11851, as well as METAGLAS® and BioControl fittings.

- **Applications in the chemicals, pharmaceutical, biogas and food processing industries:**

For illuminating the interior of vessels, tanks, agitators, silos and other generally closed containers and reactors and also in visual flow indicators in non-explosive environments.

- **Protection class:** dust-tight and water jet-proof, IP 65 according to EN 60 529 / DIN VDE 0470 part 1

- **Operating conditions:**

Independent of vacuum/pressure in the vessel. Under no circumstances should a sight glass luminaire be used as a substitute for the cover flange or instead of the complete sight glass flange assembly, or on its own to close a vessel port.

- **Caution:** Do not look into light – Danger of impaired eyesight!

- **Maximum admissible ambient temperature:** 40°C

- **Straightforward installation using a special attachment, ensuring convenience of use:**

The luminaire is fixed to the cover flange by a hinged bracket in the case of circular sight glass fittings and visual flow indicators. With screw-type sight glass fittings, the luminaire can be fastened with a flange adapter or with a Metaglas unit.

- **Lumistar luminaires ESL 53-LED fit the following nominal sizes:**

- a) Circular sight glass fitting similar to DIN 28120: from DN 25
- b) Circular sight glass fitting similar to DIN 28121: from DN 40
- c) Visual flow indicator: from DN 25
- d) Screw-type sight glass fitting similar to DIN 11851: from DN 50

- **Mounting elements:**

- for ESL 53-LED-KS: The hinged bracket is included in the scope of supply
- for ESL 53-LED-B: The flanged adapter for mounting on a screw-type sight glass fitting needs to be ordered separately

- **Operating voltage:**

24 V AC/DC – 7 W
Colour temperature: 6500 K
Luminous flux: 500 lm

- **Reflected beam angle:** 18° or 25°

- **Transformers or power supplies** for 230 V AC / 24 V AC are available on request

CE

3755.322 a



Lumistar luminaire ESL 53-LED-KS with hinged bracket

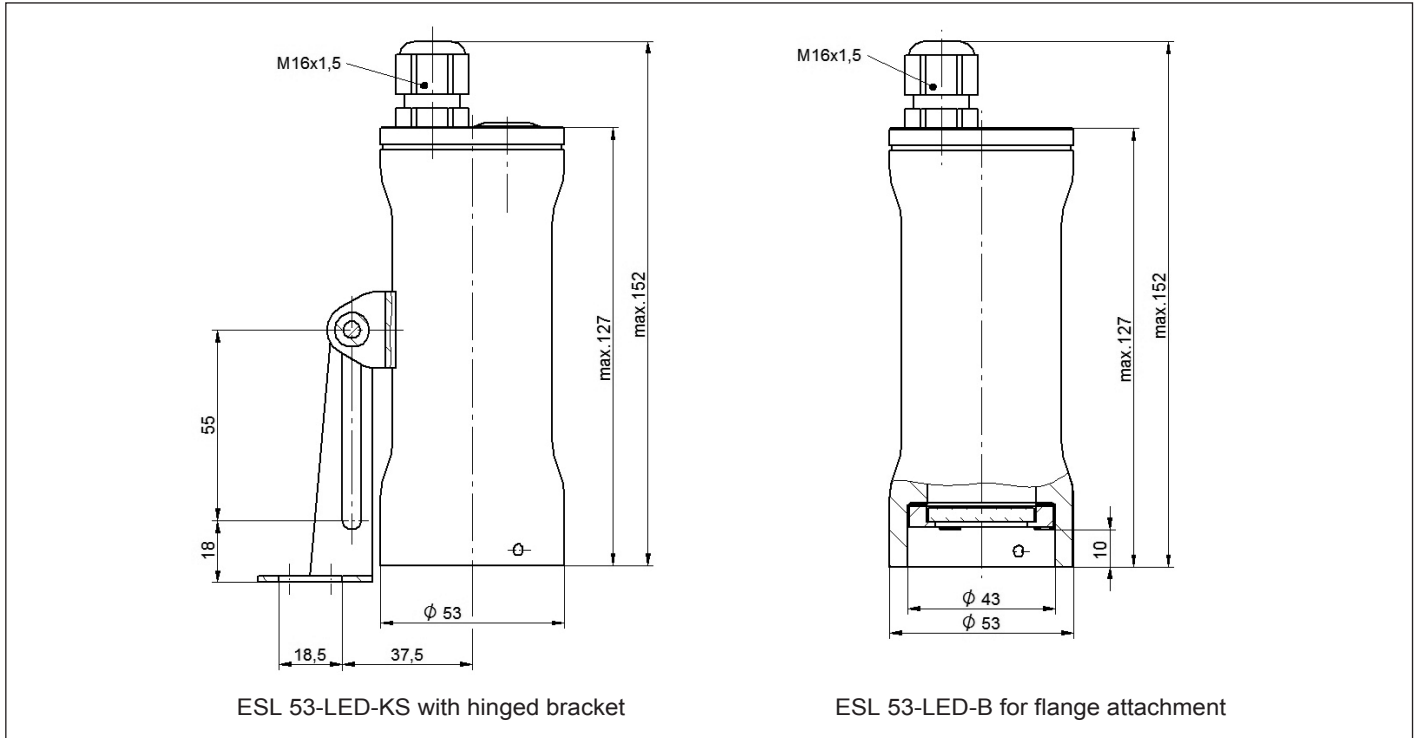


Lumistar luminaire ESL 53-LED-B mounting on a screw-type sight glass fitting according to DIN 11851 or similar

- **Operation:**

This luminaire is designed for continuous operations. As an alternative, however, it can also be supplied with a switch or pushbutton (see chart).

• **Dimensions and electrical data for Lumistar luminaires ESL 53-LED:**



• **Description and materials:**

- Luminaire body: stainless steel 1.4404
- Hinged bracket and flange adapter for fastening the luminaire to screw-type sight glass fitting DN 50/65: stainless steel 1.4301
- Connecting cable: 3 m (3 x 0.75 mm²) factory-fitted (other lengths on request)
- Weight: 1.1 kg including hinged bracket and cable

• **Connecting data:**

Item	Type	Push button	Switch	Hinged bracket	Flange attachment	Part no.
1	ESL 53-LED-KS	with	without	with	without	3541.901.00
2	ESL 53-LED-KS	without	without	with	without	3541.902.00
3	ESL 53-LED-B	with	without	without	with	3541.903.00
4	ESL 53-LED-B	without	without	without	with	3541.904.00
5	ESL 53-LED-KS	without	with	with	without	3541.905.00
6	ESL 53-LED-B	without	with	without	with	3541.906.00

• **Accessories (for ESL 53-LED-B only)**

Item	Luminaire mounting without field of view	Part no.
1	Flange adapter DN 50, stainless steel (hinged bracket not required / DIN slotted nut)	1356.027.00
2	Flange adapter DN 65, stainless steel (hinged bracket not required / slotted nut opening: 65 mm)	1356.030.00
3	Flange adapter DN 80, stainless steel (hinged bracket not required / DIN slotted nut)	1356.031.00
Luminaire mounting with field of view for MV		
4	for nominal diameter DN 80 (slotted nut opening: 94 mm)	0354.035.00
5	for nominal diameter DN 100 (slotted nut opening: 115 mm)	0354.036.00
6	for nominal diameter DN 125 (slotted nut opening: 138 mm)	0354.037.00

• **Order data:** e. g. Lumistar luminaire ESL 53-LED-KS, with pushbutton, part no. 3541.901.00

All dimensions in mm unless stated otherwise. Picture credits: ©F.H. Papenmeier GmbH & Co. KG. Subject to change without prior notice. 11.19