

## Lumistar Luminaires USL 16-LED and USL 36-LED

**USL 16-LED:** for universal application with hinged bracket

**USL 36-LED:** special variant for sterile environments with adapter collar for fitting over flanges etc.

- **The perfect combination of flush contours and smooth surface:**  
Glare-free illumination; suitable for circular sight glass fittings similar to DIN 28120/DIN 28121, for screw-type sight glass fittings similar to DIN 11851 and for METAGLAS® and BioControl fittings.

- **Compact design, powerful light output:**  
Glare-free illumination; suitable for circular sight glass fittings similar to DIN 28120/DIN 28121, for screw-type sight glass fittings similar to DIN 11851 and for METAGLAS® and BioControl fittings.

- **Application in chemical, pharmaceutical, biogas and food processing industries:**  
It is ideal for illuminating bioreactors, laboratory mixers and filters as well as the interiors of tanks, agitators, separators, pipelines and other, usually closed, vessels in non-explosive operating environments.

- **Protection class:** Dust- and waterjet proof, IP 65 according to EN 60 529 / DIN VDE 0470, Part 1

- **Operating conditions:**  
Independent of the internal pressure/vacuum in the vessel.  
Under no circumstances should a sight glass luminaire be used on its own to close a vessel port or as a replacement for the cover flange or instead of the complete sight glass flange assembly.

- **Maximum admissible ambient temperature:** 40°C

- **Caution:**  
Do not look into light – Danger of impaired eyesight!

- **Very easy to install using special mountings, ensuring convenience of use:**  
USL 16-LED: The luminaire is attached to the cover flange of the circular sight glass fitting or the visual flow indicator with a hinged bracket, or fastened to the grooved nut on screw-type sight glass fittings.  
USL 36-LED: The luminaire is mounted over an adapter collar.

- **Lumistar luminaire types USL 16-LED and USL 36-LED fit the following sizes:**
  - a) Circular sight glass fitting acc. to DIN 28120: from DN 40
  - b) Circular sight glass fitting acc. to DIN 28121: from DN 40
  - c) Visual flow indicators: from DN 40
  - d) Screw-type sight glass fittings in compliance with DIN 11851: from DN 50

- **Operating voltage:**  
230 V AC – 5.5 W  
Colour temperature: 4000 K  
Luminous flux: 400 lm

- **Reflected beam:**  
25°

- **Push-button:**  
The luminaires can be delivered with or without push-button.

CE

3755.676



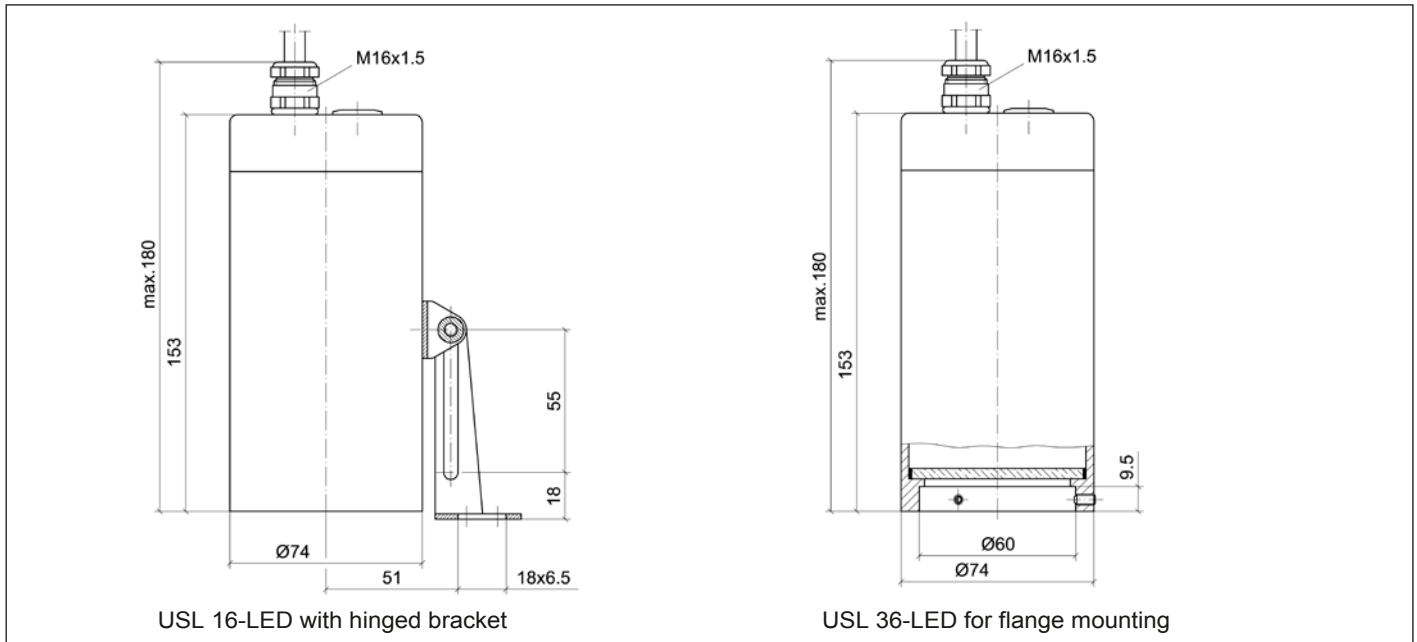
Lumistar luminaire USL 16-LED with hinged bracket



Lumistar luminaire USL 16-LED with push-button operation

- **Mounting parts for USL 16-LED:**  
The luminaire mounting (hinged bracket) is included in the scope of supply. The flange collar for mounting on screw-type sight glass fittings of DN 65 and greater should be ordered separately.

• **Dimensions and electrical data for Lumistar luminaires USL 16-LED and USL 36-LED:**



• **Components and materials:**

- Body and cover: stainless steel 1.4404
- Mounting parts (hinged bracket and flange adapter for attachment to screw-type sight glass fitting DN 50/65): stainless steel 1.4301
- Power cable: 3 m (3 x 0.75 mm<sup>2</sup>) works fitted
- Weight: 1.42 kg

• **Anschlussdaten:**

Item	Type USL 16-LED/ USL 36-LED	Nominal voltage V	Push-button	Trans- formator	Socket	LED	Part no. USL 16-LED	Part no. USL 36-LED
1	(230 V) 5.5 W	230 ~	with	without	GZ10	230 V 5.5 W	3541.743.00	3541.793.00
2	(230 V) 5.5 W	230 ~	without	without	GZ10	230 V 5.5 W	3541.744.00	3541.794.00

Further versions on request.

• **Lumistar luminaires USL 16-LED and USL 36-LED can be installed:**

- on a BioControl sight glass fitting, DN 40
- on a metal fused sight glass for clamped fittings (Metaclamp), for clamp connections to DIN 32676/ISO 2852 with a metal fused sight glass disk for aseptic screw-type sight glass fittings, DIN 11864
- with a metal fused sight glass for NA-Connect® fastenings
- with a metal fused sight glass for VARIVENT® in-line housings

• **Order details:** e. g. Lumistar luminaire USL 16-LED, 230 V – 5 W, with push-button, part no. 3541.743.00