

SMART3G-C2

with catalytic sensor

SMART3G-C2 gas detector is designed to meet industrial requirements; the enclosure is explosion proof and can be installed in ATEX Zone 1 and, when equipped with dust adapter, in Zone 21.

The sensing element is placed in the stainless steel head. Sensitron has developed two type heads with different dimensions: the model "Type head 2" has a 40 mm diameter, the "Type head 3" version has a 48 mm diameter. The pellistor sensors employed for the flammable gas detection show an excellent output linearity up to 100% LEL and fast time of response.

The gas detector has a 12-24 Vdc power supply and a standard 4-20 mA 3-wires output. Optionally, the SMART3G-C2 can be equipped with serial RS485 communication and a 1 or 3 relays board.

The aluminium enclosure has dimensions 120 x 162 x 90 mm when equipped with type head 2, 120 x 184 x 90 mm when the head type 3 is used. The enclosure has 3 cable entries 3/4" NPT threaded.

The gas detector can be ATEX marked as follows:

CE 0722 Ex II 2G Ex db IIC T5 Gb

Or, when equipped with dust adapter:

CE 0722 Ex II 2GD Ex db IIC T5 Gb
Ex tb IIIC T100°C Db
IP65

The gas detector is IECEx compliant and can be marked as follows:

Ex db IIC T5 Gb

Or, when equipped with dust adapter:

Ex db IIC T5 Gb
Ex tb IIIC T100°C Db
IP65

SMART3G-C2 is SIL2 hardware and SIL3 software; with a redundant system also the hardware is SIL3.



Sensor

Application	Industrial area, ATEX Zone 1 and Zone 21 (when equipped with dust adapter, optional)
Sensing element	Catalytic
Predicted sensor lifetime	4 / 5 years
Gas detected	Flammable gas
Full scale	0 - 100% LFL

Electrical data

Power supply	12-24 Vdc
Output	Analogue 4-20 mA output; 1 or 3 relay board (optional); serial RS485 output (optional)
Maximum dissipated power	5.4 W
Relays contact ratings (optional board)	1.0 A at 24 Vdc
Optical indications	-
Acoustic indications	-
Hall effect sensor	-

Environmental conditions

Storage temperature	-40 / +85°C
Operating temperature	-40 / +60°C *
Operating humidity	20 / 90% RH @40°C *
Operating pressure	80 / 120 kPa *
Air velocity	6 m/s *
Time of response	$t_{90} < 60$ s ; $t_{50} < 20$ s *

* Data tested with tests described in EN 60079-29-1 standard

External case

Material	Enclosure: aluminium pressure die-casting with epoxy paint chromating and chemically resistant Sensor head: stainless steel
Protection mode	Ex d : Explosion proof enclosure Ex t : Equipment dust ignition protection by enclosure (when equipped with dust adapter, optional)
Dimensions	With type head 2: 120 x 162 x 90 mm With type head 3: 120 x 184 x 90 mm
Weight	With type head 2: 1050 g With type head 3: 1250 g
Cable entries	3 x 3/4" NPT
IP grade	IP65

Compliance

EMC	EN 61000-6-3:2007 + A1:2011; EN 50270:2015
ATEX	ATEX directive 2014/34/EU EN IEC 60079-0:2018 EN 60079-1:2014 EN 60079-31:2014 EN 60079-29-1:2016
IECEx	IEC 60079-0:2011 IEC 60079-1:2014 IEC 60079-31:2013
SIL	EN 61508:2010 Parts 1, 2, 3, 4, 5, 6, 7 EN50402:2017

SMART3G-C2

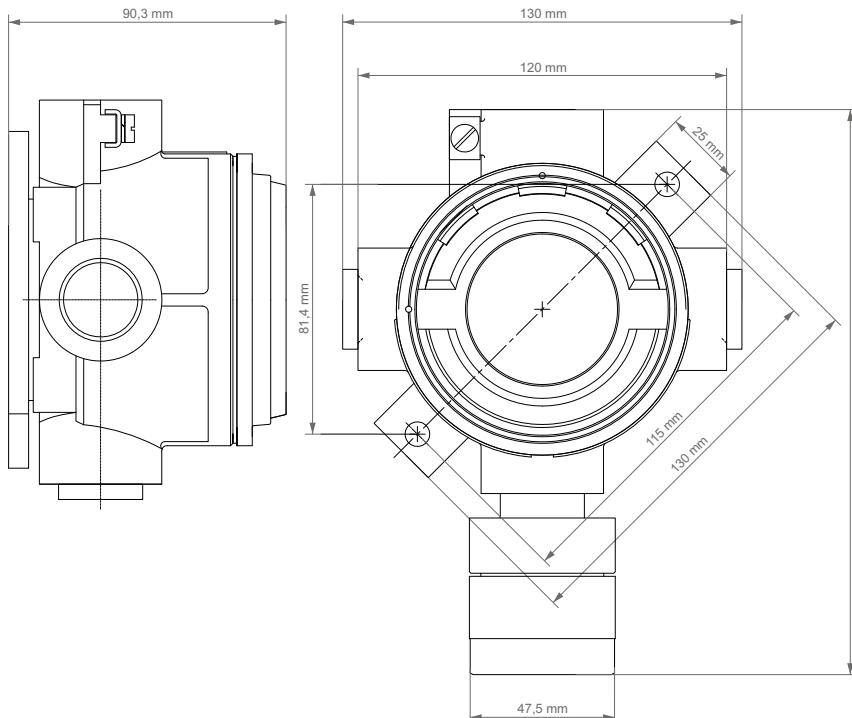
with catalytic sensor

Product codes		ATEX code
S2097ME	Methane gas detector, 12-24 Vdc	ST / L / E3 / S2
S2097GP	LPG gas detector, 12-24 Vdc	ST / L / E3 / S2
S2097PR	Propane gas detector, 12-24 Vdc	ST / L / E3 / S2
S2097BU	Butane gas detector, 12-24 Vdc	ST / L / E3 / S2
S2097VB	Petrol vapours gas detector, 12-24 Vdc	ST / L / E3 / S2
S2097AA	Acetic acid gas detector, 12-24 Vdc	ST / L / E3 / S2
S2097AT	Acetone gas detector, 12-24 Vdc	ST / L / E3 / S2
S2097AB	Butyl acetate gas detector, 12-24 Vdc	ST / L / E3 / S2
S2097BT	Butyl alcohol gas detector, 12-24 Vdc	ST / L / E3 / S2
S2097CE	Ciclohexane gas detector, 12-24 Vdc	ST / L / E3 / S2
S2097CP	Ciclopentane gas detector, 12-24 Vdc	ST / L / E3 / S2
S2097EN	Ethane gas detector, 12-24 Vdc	ST / L / E3 / S2
S2097AE	Ethyl acetate gas detector, 12-24 Vdc	ST / L / E3 / S2
S2097ET	Ethyl alcohol gas detector, 12-24 Vdc	ST / L / E3 / S2
S2097EE	Ethyl ether gas detector, 12-24 Vdc	ST / L / E3 / S2
S2097EL	Ethylene gas detector, 12-24 Vdc	ST / L / E3 / S2
S2097EP	Heptane gas detector, 12-24 Vdc	ST / L / E3 / S2
S2097ES	Hexane gas detector, 12-24 Vdc	ST / L / E3 / S2
S2097H2	Hydrogen gas detector, 12-24 Vdc	ST / L / E3 / S2
S2097IB	Isobutane gas detector, 12-24 Vdc	ST / L / E3 / S2
S2097IT	Iso butyl alcohol gas detector, 12-24 Vdc	ST / L / E3 / S2

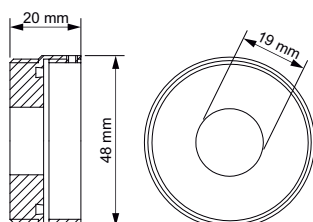
Product codes		ATEX code
S2097IN	Iso pentane gas detector, 12-24 Vdc	ST / L / E3 / S2
S2097IP	Iso propyl alcohol gas detector, 12-24 Vdc	ST / L / E3 / S2
S2097MT	Methyl alcohol gas detector, 12-24 Vdc	ST / L / E3 / S2
S2097MK	Methyl ethil ketone gas detector, 12-24 Vdc	ST / L / E3 / S2
S2097NN	Nonane gas detector, 12-24 Vdc	ST / L / E3 / S2
S2097PE	Pentane gas detector, 12-24 Vdc	ST / L / E3 / S2
S2097PP	Propylene gas detector, 12-24 Vdc	ST / L / E3 / S2
S2097PN	Propyl alcohol gas detector, 12-24 Vdc	ST / L / E3 / S2
S2097TM	Tri-methylbenzene gas detector, 12-24 Vdc	ST / L / E3 / S2
S2097TO	Toluene gas detector, 12-24 Vdc	ST / L / E3 / S2
S2097XI	Xylene gas detector, 12-24 Vdc	ST / L / E3 / S2
S2151AC	Acetylene gas detector, 12-24 Vdc	ST / L / E3 / S3
S2155AA	Acetic acid gas detector, 12-24Vdc	ST / L / E3 / S3
S2155AM	Ammonia gas detector, 12-24 Vdc	ST / L / E3 / S3
S2155BZ	Benzene gas detector, 12-24 Vdc	ST / L / E3 / S3
S2155OE	Ethylene oxide gas detector, 12-24 Vdc	ST / L / E3 / S3
S2154P8	JP8 gas detector, 12-24 Vdc	ST / L / E3 / S3
S2155ST	Styrene gas detector, 12-24 Vdc	ST / L / E3 / S3
S2155AV	Vinyl acetate gas detector, 12-24 Vdc	ST / L / E3 / S3
S2155AF	Formaldehyde gas detector, 12-24 Vdc	ST / L / E3 / S3
S2155CO	Carbon monoxide gas detector, 12-24Vdc	St / L / E3 / S3

Mechanical drawings

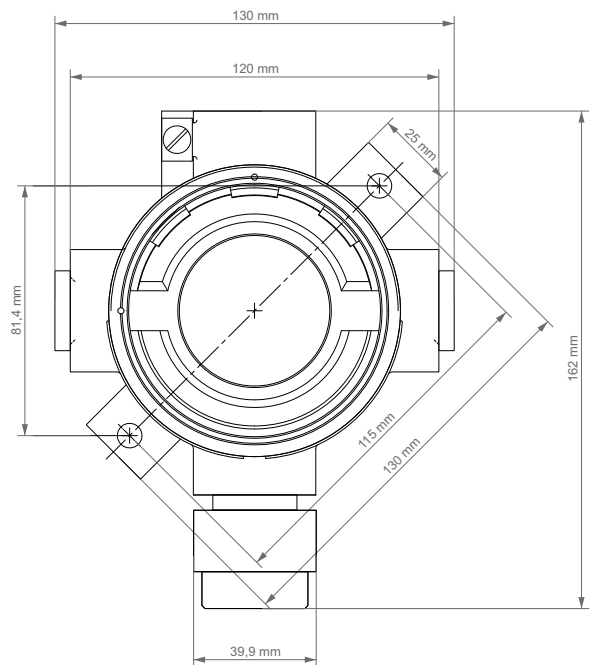
ATEX code ST / L / E3 / S3



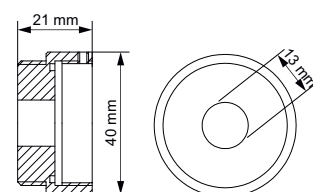
STG/AD3
Dust adapter



ATEX code ST / L / E3 / S2



STG/AD2
Dust adapter



Sensitron srl works for a constant improvement of its products and reserves the right to change the technical data without notice. To have the updated product characteristics check on the website www.sensitron.it or write an e-mail to sales@sensitron.it

INSTRUMENT TEAM AS

Tlf: 67 150 250 Faks: 67 150 251
Mail: post@instrumentteam.no
Web: www.instrumentteam.no

s sensitron
ITALIAN ■ GENIUS IN GAS DETECTION TECHNOLOGIES