

SMART S-IS

with electrochemical cell

Designed to meet the toughest industrial standards, the SMART S-IS series gas detectors are used to detect, in classified areas (zone 1 and, if equipped with the dust adapter, zone 21), the presence of toxic substances (ppm).

For the reading of toxic gases the premium electrochemical cell is used as a sensing element, which is well suited for the detection of substances at low concentrations. The sensor is housed in a stainless steel head, with a diameter of 47.5 mm.

The SMART S-IS detectors are internally equipped with a Zener barrier and a galvanic separation circuit that guarantees intrinsic safety protection.

The detector has a 12-24 Vdc power supply, a 4-20 mA signal output and an RS485 signal.

The SMART S-IS is equipped with a display (LCD or LED) to monitor the concentration in real time and Hall effect sensors for non-intrusive calibration in the field.

To adapt to the customer's needs, the SMART S-IS detector has the following customization possibilities:

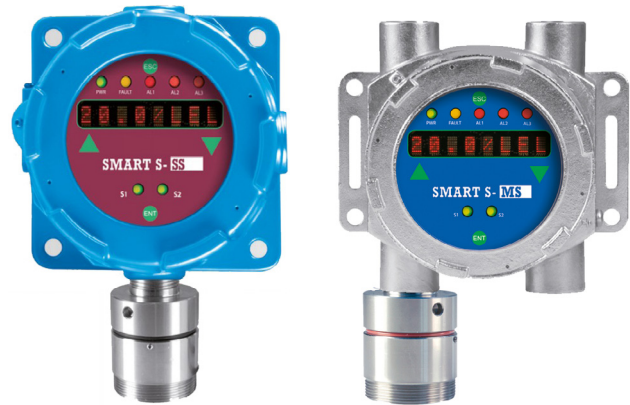
- Choice of the sensor head based on the gas to be detected
- Choice of transmitter (type of display, 3-relay board, HART modem)
- Choice of enclosure (aluminium / steel, number of entrances)

The detector can be ATEX marked in the following ways:

CE 0722 Ex II 2G Ex db [ib] ib IIC T6 Gb

Or, if equipped with a dust adapter:

CE 0722 Ex II 2G Ex db [ib] ib IIC T6 Gb
Ex tb IIIC T85°C Db
IP65



The detector is also certified according to the international IECEx scheme and marked:

Ex db [ib] ib IIC T6 Gb

Or, if equipped with a dust adapter:

Ex db [ib] ib IIC T6 Gb

Ex tb IIIC T85°C Db

IP65

SMART S-IS is SIL2 hardware and SIL3 software; with a redundant system also the hardware is SIL3.

Sensor

Application	Industrial areas, ATEX Zone 1 and Zone 21 (if equipped with optional dust adapter)
Sensor	Electrochemical cell
Estimated sensor life	2 / 3 years
Gas detected and range	O ₂ [0-25% Vol], SO ₂ [0-20 ppm and 0-100 ppm], NO ₂ [0-20 ppm], Cl ₂ [0 - 5/20 ppm]; HCl [0 - 50 ppm]

Electrical parameters

Power supply	12-24 Vdc
Output	Analogue 4-20 mA output; RS485 serial output; 3 relay board (optional); HART modem (optional)
Maximum dissipated power	4.5 W
Relays contact ratings	1.0 A a 24 Vdc
Visual indications	LED or LCD display
Acoustic indications	-
Hall effect sensor	Three sensors for calibration by magnet

Environmental conditions

Storage temperature	0 / +20°C for a maximum of 6 months
Operating temperature	-20 / +50°C
Operating humidity	15 / 90% RH non-condensing

External case

Material	Enclosure: die-cast aluminium with colour and chemically resistant epoxy paint or electropolished SS316 stainless steel Sensor head: SS316 stainless steel
Protection mode	Ex d : Explosion proof enclosure Ex i : Intrinsically safe electronics. Ex t : Equipment dust ignition protection by enclosure (when equipped with optional dust adapter)
Dimensions	138 x 200 x 120 mm (4A enclosure) 155 x 210 x 124 mm (2S enclosure)
Weight	2800 g (4A enclosure) 4200 g (2S enclosure)
Cable entries	3 x 3/4" NPT
IP grade	IP65 (when equipped with optional dust adapter)

Compliance

EMC	EN 61000-6-3:2007 + A1:2011; EN 50270:2015
ATEX	ATEX directive 2014/34/EU EN 60079-0:2012+A11:2013 EN 60079-1:2014 EN 60079-11:2012 EN 60079-31:2014
IECEx	IEC 60079-0:2011 IEC 60079-1:2014 IEC 60079-11:2011 IEC 60079-31:2013
SIL	EN 61508:2010 Parts 1, 2, 3, 4, 5, 6, 7 EN 50402:2017

SMART S-IS

with electrochemical cell

To order a SMART S-IS detector, the transmitter must be paired with the container and sensor head of the gas of interest.

The product code is composed as follows:

SIS	Enclosure code	Transmitter code	-	Sensor head code
-----	----------------	------------------	---	------------------

Example: the code SIS4A24-S5005O2 is a SMART S-IS detector with the 4A enclosure, the electronics with LED display, 3-relay, IS and GI boards. The sensor head code S5005O2 is for oxygen 0-25% Vol.



4A



2S

Enclosure code

- 4A Aluminium enclosure with four 3/4" NPT conduits
- 2S Stainless steel enclosure with four 3/4" NPT conduits

ATEX code

- ST / 7W / EL / SI
- ST / 8K / EL / SI

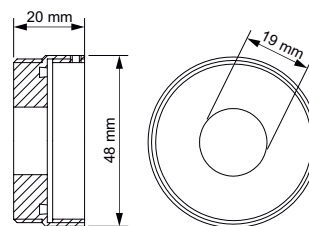
Transmitter code

- 21 Electronic with 1 output RS485+4-20 mA, LCD display, IS & GI card
- 22 Electronic with 1 output RS485+4-20 mA, LED display, IS & GI card
- 23 Electronic with 1 output RS485+4-20 mA, LCD display, 3-relay card, IS & GI card
- 24 Electronic with 1 output RS485+4-20 mA, LED display, 3-relay card, IS & GI card

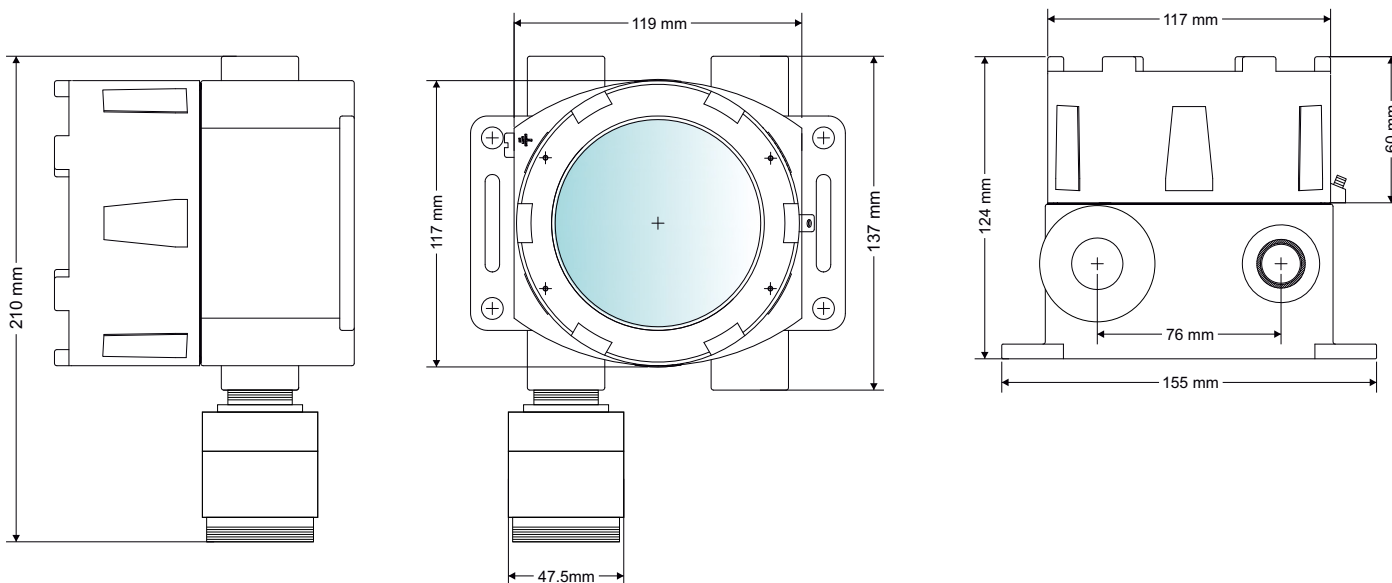
Sensor head code

- S5005O2 OXYGEN (O₂) sensor head, 0-25% vol.
- S5011SD SULPHUR DIOXIDE (SO₂) sensor head, 0-20 ppm
- S5049SD SULPHUR DIOXIDE (SO₂) sensor head, 0-100 ppm
- S5012ND NITROGEN DIOXIDE (NO₂) sensor head, 0-20 ppm
- S5015CL CHLORINE (CL₂) sensor head, 0-5 ppm
- S5013CL CHLORINE (CL₂) sensor head, 0-20 ppm
- S5014HC HYDROCHLORIC ACID (HCl) sensor head, 0-50 ppm

STG/AD3 dust adapter
(optional accessory available for all models)



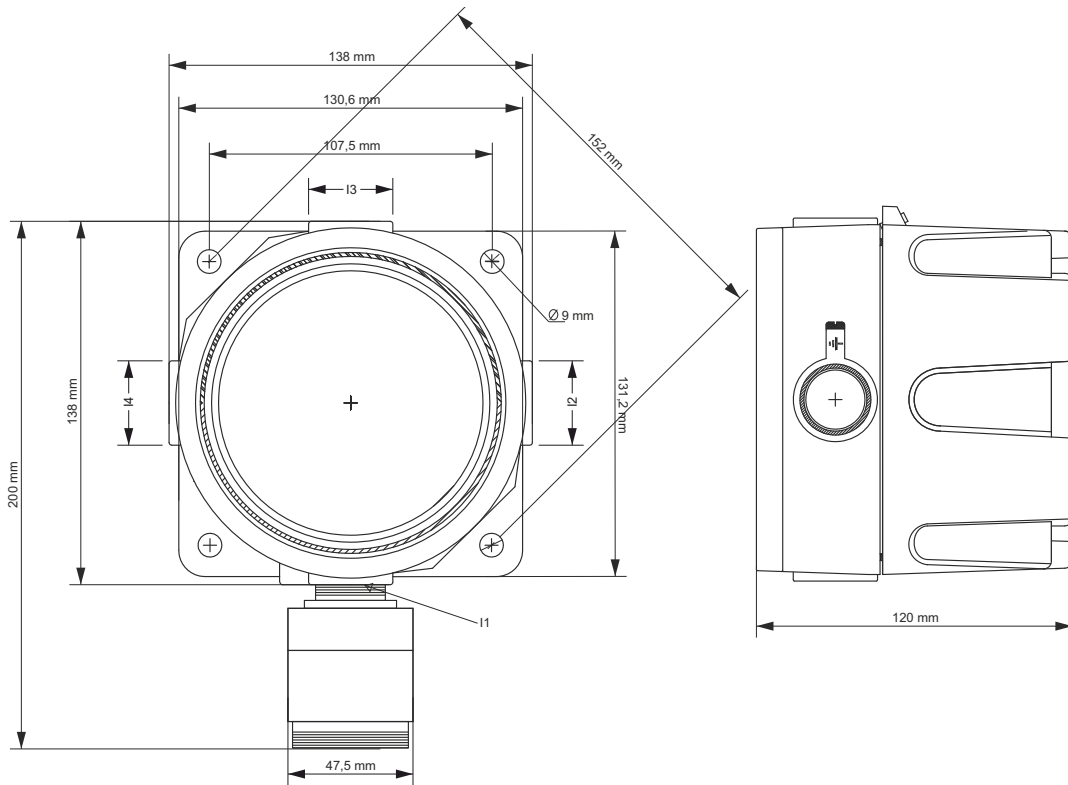
Mechanical drawings SMART S-IS with 2S enclosure



SMART S-IS

with electrochemical cell

Mechanical drawings SMART S-IS with 4A enclosure



Sensitron srl works for a constant improvement of its products and reserves the right to change the technical data without notice. To have the updated product characteristics check on the website www.sensitron.it or write an e-mail to sales@sensitron.it

 **INSTRUMENT TEAM AS**

Tlf: 67 150 250 Faks: 67 150 251
Mail: post@instrumentteam.no
Web: www.instrumentteam.no

 **sensitron**
ITALIAN ■ GENIUS IN GAS DETECTION TECHNOLOGIES