

Honeywell

C7355A Room IAQ Monitor

COMMERCIAL GRADE IAQ PRODUCTS

SPECIFICATION DATA

DISCLAIMER

All images used in this document are for illustrative purposes only and may not match the actual product.



APPLICATION

Rigorous design, professional test and calibration for the commercial grade indoor air quality detector.

High performance for RESET and/or WELL Certificates, coordinates well with data collection and analysis system, makes multipoint real time monitoring placement easy to achieve.

Suitable for intelligent building and systems, air quality data collection systems, green building evaluation systems and ventilation system.

FEATURES

- **24-hour online real-time detection of indoor air quality.**
- **The sensor module in the monitor is specifically designed for detection stability to ensure reliability.**
- **Long-term operation stability and sensor life.**
- **Providing PM2.5, PM10, CO₂, TVOC, temperature and humidity sensing in the same module.**

- **Patented technologies to minimize the influence from ambient temperature and humidity to the measured values.**
- **Power supply: 12–28 VDC/18–27 VAC.**
- **RS-485 Modbus communication interface (optional).**
- **Three-color light ring indicates different levels of indoor air quality; the light ring can also be turned off.**
- **Ceiling mounting and wall mounting with contemporary appearance.**
- **Simple structure and installation, makes even ceiling mounting easy and convenient.**
- **RESET certified as grade B monitor for Green Building Assessment and Certification.**

SPECIFICATIONS

General Data

Part Number: C7355A1050

Detection Parameters: PM2.5/PM10, CO₂, TVOC, Temperature & RH

Output: RS-485/RTU (Modbus)

Operating Environment Temperature: 32–122 °F (0–50 °C)

Humidity: 0–90% RH

Storage Conditions: 14–122 °F (-10–50 °C); 0–90% RH (Non-condensing)

Power Supply: 12–28 VDC / 18–27 VAC

Power Consumption: Average 1.9 w (24V)

Overall Dimensions:
7.70 in (L) × 6.10 in (W) × 2.40 in (H)
(130 mm [L] × 130mm [W] × 45mm [H])

Net Weight: 1.10 lb (300 g)

Material of Shell & IP Level:
PC/ABS fire-proof material/IP20

Certification Standard: CE/FCC



31-00435-01

PM2.5/PM10 Data

Sensor:

Laser particle sensor, light scattering method

Measuring Range:

PM2.5: 0–500 $\mu\text{g}/\text{m}^3$
 PM10: 0–800 $\mu\text{g}/\text{m}^3$

Output Resolution: 0.1 $\mu\text{g}/\text{m}^3$

Zero point Stability: $\pm 3 \mu\text{g}/\text{m}^3$

Accuracy (PM2.5):

10% of reading (0–300 $\mu\text{g}/\text{m}^3$ @ 25 °C, 10%–60% RH)

Temperature and Humidity Data

Sensor:

High precision digital integrated temperature and humidity sensor

Measuring Range:

Temperature: -4–140 °F (-20–60 °C)
 Humidity: 0–99% RH

Output Resolution:

Temperature: 0.01 °C
 Humidity: 0.01% RH

Accuracy:

Temperature: $<\pm 0.6 \text{ }^\circ\text{C}$ @ 25 °C
 Humidity: $<\pm 4.0\%$ RH (20%–80% RH)

CO₂ Data

Sensor: Non-Dispersive Infrared Detector (NDIR)

Measuring Range: 0–5000 ppm

Output Resolution: 1 ppm

Accuracy:

$\pm 40 \text{ ppm}$ + of the reading (25 °C, 10%–60% RH)

TVOC Data

Sensor: Metal oxide gas sensor

Measuring Range: 0–3.5 mg/m^3

Output Resolution: 0.001 mg/m^3

Accuracy:

$\pm 0.05 \text{ mg}$ + 10% of reading (0–2 mg/m^3 @ 25 °C, 10%–60% RH)

Dimensions

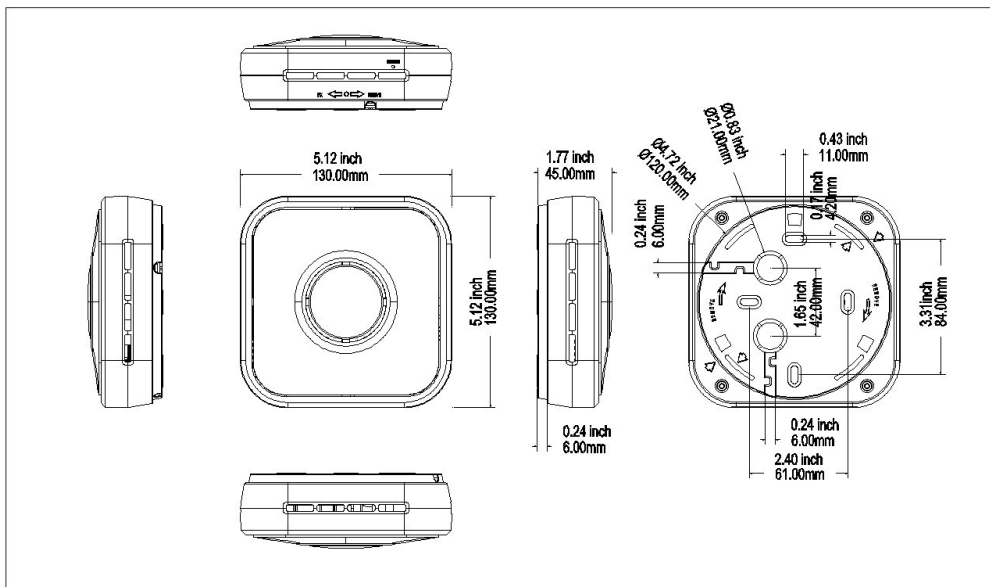


Fig. 1. Dimensions.

GENERAL SAFETY INFORMATION

- When performing any work (installation, mounting, start-up), all manufacturer instructions and in particular the Installation and Commissioning Instructions are to be observed.
- IAQ monitor may be installed and mounted only by authorized and trained personnel.
- Rules regarding electrostatic discharge should be followed.
- If IAQ monitor is modified in any way, except by the manufacturer, all warranties concerning operation and safety are invalidated.
- Use only accessory equipment which comes from or has been approved by Honeywell.
- It is recommended that devices be kept at room temperature for at least 24 hours before applying power. This is to allow any condensation resulting from low shipping/storage temperatures to evaporate.
- CE declarations according to LVD Directive 2014/35/EU and EMC Directive 2014/30/EU.
- Product standards are EN50581, EN61010-1 and EN61326-1.
- This monitor has been tested and found to comply with the limits for a Class B digital device, pursuant to part 15 of the FCC Rules. These limits are designed to provide reasonable protection against harmful interference in a residential installation. This equipment generates uses and can radiate radio frequency energy and, if not installed and used in accordance with the instructions, may cause harmful interference to radio communications. However, there is no guarantee that interference will not occur in a particular installation. If this equipment does cause harmful interference to radio or television reception, which can be determined by turning the equipment off and on, the user is encouraged to try to correct the interference by one or more of the following measures:
 - Reorient or relocate the receiving antenna.
 - Increase the separation between the equipment and receiver.
 - Connect the equipment into an outlet on a circuit different from that to which the receiver is connected.
- This monitor complies with Part 15 of the FCC rules. Operation is subject to the following two conditions: (1) this device may not cause harmful interference, and (2) this device must accept any interference received, including interference that may cause undesired operation.
- The monitor is Class B digital apparatus and complies with Canadian ICES-003.
- The monitor complies with Industry Canada license exempt RSS standard(s). Operation is subject to the following two conditions: (1) this device may not cause interference, and (2) this device must accept any interference, including interference that may cause undesired operation of the device.



Tlf: 67 150 250 Faks: 67 150 251

Mail: post@instrumentteam.no

Web: www.instrumentteam.no

Honeywell Building Technologies

In the U.S.:

Honeywell

715 Peachtree Street NE

Atlanta, GA 30308

customer.honeywell.com

buildingcontrols.honeywell.com

Honeywell

® U.S. Registered Trademark
©2020 Honeywell International Inc.
31-00435-01 M.S. 10-20
Printed in United States