

## Technical Information

### STF800 SmartLine Flange Mounted Level Specification 34-ST-03-87, Jan 2022



#### Introduction

Part of the SmartLine® family of products, the STF800 is a high performance flange mounted level transmitter featuring piezoresistive sensor technology. STF800 transmitters may be directly mounted onto a tank flange and are offered with a variety of tank connections including various flush and extended diaphragm configurations. STF800 offers high accuracy and stability over a wide range of level applications. The SmartLine family is also fully tested and compliant with Experion® PKS providing the highest level of compatibility assurance and integration capabilities. SmartLine easily meets the most demanding application needs for pressure measurement applications.

#### Best in Class Features:

- Accuracies up to 0.0375% of span standard & 0.025% of span optional.
- Stability up to 0.01% of URL per year for 15 years
- Automatic static pressure & temperature compensation
- Rangeability up to 100:1
- Response times as fast as 90ms
- Multiple local display capabilities
- External zero, span, & configuration capability
- Polarity insensitive electrical connections
- Comprehensive on-board diagnostic capabilities
- Integral Dual Seal design for highest safety based on ANSI/NFPA 70-202 and ANSI/ISA 12.27.0
- World class overpressure protection
- Full compliance to SIL 2/3 requirements.
- Modular design characteristics
- Available with additional 15-year warranty
- Plugged Impulse Line Detection Option
- Dual/Triple Calibration Option (HART & Fieldbus Only)



**Figure 1 – STF800 Flanged Level Transmitters feature field-proven piezoresistive sensor technology**

#### Communications/Output Options:

- 4.20 mA
- Honeywell Digitally Enhanced (DE)
- HART® (version 7.0)
- FOUNDATION™ Fieldbus

All transmitters are available with the above listed communications protocols.

#### Span & Range Limits:

Model	URL H <sub>2</sub> O (mbar)	LRL H <sub>2</sub> O (mbar)	Min Span H <sub>2</sub> O (mbar)
STF828	400 (1000)	-400 (-1000)	4.0 (10.0)
STF82F	400 1000)	-400 (-1000)	4.0 (10.0)
Model	psi (bar)	psi (bar)	psi (bar)
STF832	100 (7.0)	-100 (-7.0)	1 (0.07)
STF83F	100 (7.0)	-100 (-7.0)	1 (0.07)

## Description

The SmartLine transmitters are designed around a high performance piezo-resistive sensor. This one sensor actually integrates multiple sensors linking process pressure measurement with on-board static pressure (DP & Level Models) and temperature compensation measurements resulting in the best total performance available. This level of performance allows the ST 800 to replace virtually any competitive transmitter available today.

## Unique Indication/Display Options

The ST 800 modular design accommodates a basic alphanumeric LCD display or a unique advanced graphics LCD display with many unparalleled features.

### Basic Alphanumeric LCD Display Features

- Modular (may be added or removed in the field)
- 0, 90, 180, & 270 degree position adjustments
- Configurable (HART only) and standard (Pa, KPa, MPa, KGcm<sup>2</sup>, Torr, ATM, inH<sub>2</sub>O, mH<sub>2</sub>O, bar, mbar, inH<sub>2</sub>O, inHG, FTH<sub>2</sub>O, mmH<sub>2</sub>O, mm HG, & psi) measurement units
- 2 Lines 16 Characters (4.13H x 1.83W mm)
- Square root output indication ( $\sqrt{\quad}$ )

### Advanced Graphics LCD Display Features

- Modular (may be added or removed in the field)
- 0, 90, 180, & 270 degree position adjustments
- Standard and custom measurement units available.
- Up to eight display screens with 3 formats are possible
- (Large PV with Bar Graph or PV with Trend Graph)
- Configurable screen rotation timing (1 to 30 sec)
- Display Square Root capabilities may be set separately from the 4-20mA DC output signal
- Unique "Health Watch" indication provides instant visibility of diagnostics
- Multiple language capability. (EN, DE, FR, IT, ES, RU, TR, CN, JP)

## Diagnostics

SmartLine transmitters all offer digitally accessible diagnostics which aid in providing advanced warning of possible failure events minimizing unplanned shutdowns, providing **lower overall operational costs**

## Configuration Tools

### Integral Three Button Configuration Option

Suitable for all electrical and environmental requirements, SmartLine offer the ability to configure the transmitter and display via three externally accessible buttons when either display option is selected. Zero/span capabilities are also optionally available via these buttons with or without selection of a display option.

### Handheld Configuration

SmartLine transmitters feature two-way communication and configuration capability between the operator and the transmitter. All Honeywell transmitters are designed and tested for compliance with the offered communication protocols and are designed to operate with any standards compliant handheld configuration device.

### Personal Computer Configuration

Honeywell's SCT 3000 Configuration Toolkit provides an easy way to configure Digitally Enhanced (DE) instruments using a personal computer as the configuration interface. Field Device Manager (FDM) Software and FDM Express are also available for managing HART & Fieldbus device configurations.

## System Integration

- SmartLine communications protocols all meet the most current published standards for HART/DE/Fieldbus.
- Integration with Honeywell's Experion PKS offers the following unique advantages.
  - Transmitter messaging
  - Maintenance mode indication
  - Tamper reporting
  - FDM Plant Area Views with Health summaries
  - All ST 800 units are Experion tested to provide the highest level of compatibility assurance

## Modular Design

To help contain maintenance & inventory costs, all ST 800 transmitters are modular in design supporting the user's ability to replace meter bodies, add indicators or change electronic modules without affecting overall performance or approval body certifications. Each meter body is uniquely characterized to provide in-tolerance performance over a wide range of application variations in temperature and pressure and due to the Honeywell advanced interface, electronic modules may be swapped with any electronics module without losing in-tolerance performance characteristics.

### Modular Features

- Meter body replacement
- Exchange/replace electronics/comms modules\*
- Add or remove integral indicators\*
- Add or remove lightning protection (terminal connection)\*

\* Field replaceable in all electrical environments (including IS) except flameproof without violating agency approvals.

With no performance effects, Honeywell's unique modularity results in **lower inventory needs and lower overall operating costs.**

## Plugged Impulse Line Detection:

STF800 models are offered with a PILD option which provides indication of a plugged impulse line or process connection. When used in conjunction with a basic or advanced display, a non-critical diagnostic indication appears on the integral display. For units without an integral display, an indication can be seen via the host or hand-held device when HART Protocol is utilized.

## Dual/Triple Calibration:

STF800 models are optionally offered with multiple calibrations. In lieu of a standard factory calibration, units can be supplied with 1, 2, or 3 customer specified calibrations. These calibrations are stored in the meter body and provide users with factory calibrated performance at up to three different calibrated ranges. This increases application flexibility without requiring any costly recalibration or additional inventory.

## Performance Specifications

Reference Accuracy (conformance to +/-3 Sigma)

Table 1

Model	URL	LRL	Min Span	Maximum Turndown Ratio	Stability (%URL/Year for 15 years)	Reference Accuracy <sup>1,2</sup> (% Span) Std/Opt.
STF828	400 in H <sub>2</sub> O (1000mbar)	-400 in H <sub>2</sub> O (-1000mbar)	4 in H <sub>2</sub> O (10.0mbar)	100:1	0.01	0.0375 /0.025
STF82F	400 in H <sub>2</sub> O (1000mbar)	-400in H <sub>2</sub> O (-1000mbar)	4 in H <sub>2</sub> O (10.0mbar)	100:1		
STF832	100 psi (7.0 bar)	-100 psi (-7.0 bar)	1 psi (0.07 bar)	100:1	0.025	0.0375 /0.0325
STF83F	100 psi (7.0 bar)	-100 psi/ (-7.0 bar)	1 psi (0.07 bar)	100:1		

Zero and span may be set anywhere within listed (URL/LRL) range limits

Accuracy at specified Span, Temperature and Static Pressure (conformance to +/-3)

Table 2

		Accuracy <sup>1,2</sup> (% of Span)				Combined Zero & Span Temperature Effect (% Span (50°F))		Combined Zero & Span Static Line Pressure Effect <sup>4</sup> (% Span/1000psi) <sup>3</sup>		
	Model	URL	Reference Turndown	A	B	C (see URL units)	D	E	F	G
Standard Accuracy	STF828	400 in H <sub>2</sub> O (1000mbar)	16:1	0.005	0.0325	25 (62.5)	0.210	0.040	0.095	0.010
	STF82F	400 in H <sub>2</sub> O (1000mbar)					0.025	0.007	0.025	0.005
	STF832	100 psi (7.0 bar)	6.7:1	0.005	0.0325	15 (1.05)	0.075	0.050	0.095	0.010
	STF83F	100 psi (7.0 bar)					0.025	0.004	0.026	0.004
High Accuracy Option	STF828	400 in H <sub>2</sub> O (1000mbar)	16:1	0.005	0.020	25 (62.5)	0.21	0.04	0.095	0.01
	STF82F	400 in H <sub>2</sub> O (1000mbar)					0.025	0.007	0.025	0.005
	STF832	100 psi (7.0 bar)	6.7:1	0.005	0.0275	15 (1.05)	0.075	0.050	0.095	0.010
	STF83F	100 psi (7.0 bar)					0.025	0.004	0.026	0.004
<b>Turn Down Effect</b> $\pm [A + B]$ if $Span \geq C$ $\pm \left[ A + B \left( \frac{C}{Span} \right) \right]$ if $Span < C$						<b>Temp Effect</b> $\pm \left[ D + E \left( \frac{URL}{Span} \right) \right]$		<b>Static Effect</b> $\pm \left[ F + G \left( \frac{URL}{Span} \right) \right]$		

$$\text{Total Performance} = \pm \sqrt{(\text{Accuracy})^2 + (\text{Temp Effect})^2 + (\text{Static Line Pressure Effect})^2}$$

**Total Performance (% of Span):**

**Total Performance Examples:** (standard accuracy 5:1 Turndown, up to 50 °F shift & up to 300 psi Static Pressure)

**STF828 @ 80 in H<sub>2</sub>O:** 0.436% of span

**STF832 @ 20 psi:** 0.358 % of span

**STF82F @ 80 in H<sub>2</sub>O:** 0.087% of span

**STF83F @ 20 psi:** 0.074 % of span

**Typical Calibration Frequency:**

Calibration verification is recommended every four (4) years

**Notes:**

1. Terminal Based Accuracy – Includes effects of linearity, hysteresis and repeatability. Analog output adds 0.005% of span
2. For zero based spans and reference conditions of 25°C, 0 psig static pressure, 10 to 55% RH.

### Operating Conditions – All Models

Parameter	Reference Condition		Rated Condition		Operative Limits		Transportation and Storage	
	°C	°F	°C	°F	°C	°F	°C	°F
<b>Ambient Temperature<sup>1</sup></b>	25±1	77±2	-40 to 85	-40 to 185	-40 to 85	-40 to 185	-55 to 120	-67 to 248
<b>Meter Body Temperature<sup>2</sup></b>	25±1	77±2	-40 to 110*	-40 to 230*	-40 to 125	-40 to 257	-55 to 120	-67 to 248
<b>Process Interface Temp.</b> STF828, STF832 only	25±1	77±2	-40 to 110 <sup>1</sup>	-40 to 230 <sup>1</sup>	-40 to 175 <sup>2</sup>	-40 to 350 <sup>2</sup>	-55 to 125	-67 to 257
<b>Humidity %RH</b>	10 to 55		0 to 100		0 to 100		0 to 100	
<b>Minimum Pressure</b> mmHg absolute inH <sub>2</sub> O absolute	atmospheric atmospheric		25 13		2 (short term <sup>3</sup> ) 1 (short term <sup>3</sup> )			
<b>Supply Voltage</b> <b>Load Resistance</b>	HART: 10.8 to 42.4 VDC at terminals (IS versions limited to 30 VDC), 0 to 1,440 ohms DE: 15 to 49.3VDC at terminals (IS versions limited to 30VDC), 0 to 1,200 ohms (as shown in Figure 2) FOUNDATION Fieldbus: 9.0 to 32.0 VDC at terminals, steady state current: 17.6mA, software download current: 27.4mA							

<sup>1</sup> Silicone 704 minimum temperature rating is 0°C (32°F). NEOBEE M-20 minimum temperature rating is -15°C (5°F).

NEOBEE® is a registered trademark of Stepan Company

<sup>2</sup> For CTFE fill fluid, the maximum temperature rating is 150°C (300°F)

<sup>3</sup> Short term equals 2 hours at 70°C (158 °F)

### Maximum Allowable Working Pressure (MAWP)<sup>5, 6</sup>

(ST 800 products are rated to Maximum Allowable Working Pressure. MAWP depends on Approval Agency and transmitter materials of construction.)

STF828 & STF832	Flange Material	Ambient Temperature -29 to 38°C [-20 to 100°F]	Max Meterbody Temperature 125°C [257°F]	Process Interface Temperature 175°C [350°F]
ANSI Class 150 psi [bar]	Carbon Steel	285 [19.6]	245 [16.9]	215 [14.8]
	304 S.S.	275 [19.0]	218 [15.0]	198 [13.7]
	316 S.S.	275 [19.0]	225 [15.5]	205 [14.1]
ANSI Class 300 psi [bar]	Carbon Steel	740 [51.0]	668 [46.0]	645 [44.5]
	304 S.S.	720 [49.6]	570 [39.3]	518 [35.7]
	316 S.S.	720 [49.6]	590 [40.7]	538 [37.1]
DN PN40 psi [bar]	Carbon Steel	580 [40.0] <sup>4</sup>	574 [39.6]	559 [38.5]
	304 S.S.	534 [36.8] <sup>4</sup>	419 [28.9]	385 [26.5]
	316 S.S.	534 [36.8] <sup>4</sup>	434 [29.9]	399 [27.5]
<b>STF82F &amp; STF83F</b> ANSI Class 150 psi [bar]	316L Stainless Steel	230 [15.9]	185 [12.8]	No rating at this temp

<sup>4</sup> Ambient Temperature for DN PN40 is -10 to 50°C [14 to 122 F]



**Materials Specifications** (see model selection guide for availability/restrictions with various models)

Parameter	Description
<b>Barrier Diaphragms Material</b>	316L SS, Hastelloy® C-276 <sup>2</sup> , Monel® 400 <sup>**3</sup>
<b>Process Head Material</b>	316 SS <sup>4</sup> , Carbon Steel (Zinc-plated) <sup>5</sup> , Hastelloy C-276 <sup>*6</sup> , Monel 400 <sup>**7</sup>
<b>Vent/Drain Valves &amp; Plugs <sup>1</sup></b>	316 SS <sup>4</sup> , Hastelloy C-276 <sup>2</sup> , Monel 400 <sup>7</sup>
<b>Gasket Ring Material (Wetted)</b>	316/316L SS, Hastelloy® C-276 <sup>*2</sup> , Monel®400 <sup>**3</sup>
<b>Extension Tube Material</b>	316 SS <sup>4</sup>
<b>Head Gaskets</b>	Glass-filled PTFE standard. Viton® and graphite are optional.
<b>Meter Body Bolting</b>	Carbon Steel (Zinc plated) standard. Options include 316 SS, NACE A286 SS bolts, Monel K500, Super Duplex and B7M.
<b>Optional Adapter Flange and Bolts</b>	Adapter Flange materials include 316 SS <sup>4</sup> , Hastelloy C-276 <sup>6</sup> and Monel 400 <sup>7</sup> . Bolt material for flanges is dependent on process head bolts material chosen. Standard adaptor seal material is glass-filled PTFE. Viton and graphite are optional.
<b>Mounting Flange</b> <b>STF828, STF832</b> <b>STF82F, STF83F</b>	<b>Flush or Extended Diaphragm:</b> Zinc Chromate plated Carbon Steel <sup>5</sup> , 304 SS, or 316 SS <sup>4</sup> . 316L SS ( <i>NOTE: Mounting Flange is process wetted.</i> )
<b>Fill Fluid</b>	Silicone 200, CTFE, NEOBEE M-20 or Silicone 704.
<b>Electronic Housing</b>	Pure Polyester Powder Coated Low Copper (<0.4%)-Aluminum. Meets NEMA 4X, IP66, & P67. All stainless steel housing is optional.
<b>Mounting</b>	See <a href="#">Figure 3</a> for typical flange mounting arrangement.
<b>Process Connections</b> <b>All Models</b> <b>STF828, STF832</b> <b>STF82F, STF83F</b>	<b>Process Head:</b> 1/4-inch NPT; 1/2-inch NPT with adapter and DIN, standard options. <b>Flange:</b> 2, 3 or 4-inch Class 150 or 300 ANSI; DN50-PN40, DN80-PN40 or DN100-PN40 DIN flange. <b>Extended Diaphragm:</b> 2, 4, or 6 inches (50, 101, 152 mm) long. 2 or 3-inch, Class 150 ANSI flange.
<b>Wiring</b>	Accepts up to 16 AWG (1.5 mm diameter).
<b>Dimensions</b>	See <a href="#">Figure 4</a> , <a href="#">Figure 5</a> & <a href="#">Figure 6</a>
<b>Net Weight</b>	STF82F, STF83F: 14-19 pounds (6.4 - 8.7Kg) with Aluminum Housing STF828, STF832: 18-32 pounds (8.2 - 14.5Kg) with Aluminum Housing

<sup>1</sup> Vent/Drains are sealed with Teflon®<sup>2</sup> Hastelloy C-276 or UNS N10276<sup>3</sup> Monel 400 or UNS N04400<sup>4</sup> Supplied as 316 SS or as Grade CF8M, the casting equivalent of 316 SS.<sup>5</sup> Carbon Steel heads are zinc-plated and not recommended for water service due to hydrogen migration. For that service, use 316 stainless steel wetted Process Heads.<sup>6</sup> Hastelloy C-276 or UNS N10276. Supplied as indicated or as Grade CW12MW, the casting equivalent of Hastelloy C-276<sup>7</sup> Monel 400 or UNS N04400. Supplied as indicated or as Grade M30C, the casting equivalent of Monel 400

\* Flush design only.

\*\*Flush or pseudo flange design.

## Communications Protocols & Diagnostics

### HART Protocol

#### Version:

HART 7

### Foundation Fieldbus (FF)

#### Available Function Blocks

Block Type	Qty	Execution Time
Resource	1	n/a
Transducer	1	n/a
Diagnostic	1	n/a
Analog Input	1*	30 ms
PID w/Autotune	1	45 ms
Integrator	1	30 ms
Signal Char (SC)	1	30 ms
LCD Display	1	n/a
Flow Block	1	30 ms
Input Selector	1	30 ms
Arithmetic	1	30 ms

\* All block may have two (2) additional instantiations. All available function blocks adhere to FOUNDATION Fieldbus standards. PID blocks support ideal & robust PID algorithms with full implementation of Auto-tuning.

#### Link Active Scheduler

Transmitters can perform as a backup Link Active Scheduler and take over when the host is disconnected. Acting as a LAS, the device ensures scheduled data transfers typically used for the regular, cyclic transfer of control loop data between devices on the Fieldbus.

#### Number of Devices/Segment

Entity IS model: 6 devices/segment

#### Schedule Entries

18 maximum schedule entries

Number of VCR's: 24 max

**Compliance Testing:** Tested according to ITK 6.0.1

#### Software Download

Utilizes Class-3 of the Common Software Download procedure as per FF-883 which allows the field devices of any manufacturer to receive software upgrades from any host.

### Honeywell Digitally Enhanced (DE)

DE is a Honeywell proprietary protocol which provides digital communications between Honeywell DE enabled field devices and Hosts.

### Standard Diagnostics

ST 800 top level diagnostics are reported as either critical or non-critical and readable via the DD/DTM tools or integral display as shown below.

Critical Diagnostics		
HART DD/DTM tools	Advanced Display	Basic Display
Electronic Module DAC Failure	Electronics Module fault	Electronics Module fault
Meter Body NVM Corrupt	Meterbody fault	Meterbody fault
Config Data Corrupt	Electronics Module fault	Electronics Module fault
Electronic Module Diag Failure	Electronics Module fault	Electronics Module fault
Meter Body Critical Failure	Meterbody fault	Meterbody fault
Sensor Comm Timeout	Meterbody Comm fault	Meterbody Comm fault

Non-Critical Diagnostics		
HART DD/DTM tools	Advanced Display	Basic Display
Display Failure	n/a	n/a
Electronic Module Comm Failure	n/a	n/a
Meter Body Excess Correct	Zero Correct (OK or EXCESSIVE) Span Correct (OK or EXCESSIVE)	n/a
Sensor Over Temperature	Meterbody Temp (OK, OVER TEMP)	n/a
Fixed Current Mode	Analog Out mode (Fixed or Normal)	n/a
PV Out of Range	Primary PV (OK or OVERLOAD)	n/a
No Factory Calibration	Factory Cal (OK, NO FACTORY CAL)	n/a
No DAC Compensation	DAC Temp Comp (OK, NO COMPENSATION)	n/a
LRV Set Error – Zero Config Button	n/a	n/a
URV Set Error – Span Config Button	n/a	n/a
AO Out of Range	n/a	n/a
Loop Current Noise	n/a	n/a
Meter Body Unreliable Comm	Meterbody Comm (OK, SUSPECT)	n/a
Tamper Alarm	n/a	n/a
No DAC Calibration	n/a	n/a
Sensor Supply Voltage Low	Supply Voltage (OK, LOW, or HIGH)	n/a

Refer to ST 800 diagnostics tech note for additional level diagnostics.

### Other Certification Options

#### Materials

- NACE MRO175, MRO103, ISO15156



## Hazardous Areal Certifications:

MSG CODE	AGENCY	TYPE OF PROTECTION	COMM. OPTION	ELECTRICAL PARAMETERS	AMBIENT TEMP (Ta)
A	FM Approvals™ USA	<b>Explosionproof:</b> Class I, Division 1, Groups A, B, C, D; Dust Ignition Proof: Class II, III, Division 1, Groups E, F, G; T6..T5 Class I, Zone 0/1, AEx db IIC T6..T5 Ga/Gb Class II, Zone 21, AEx tb IIIC T95° Db	All	Note 1	T5: -50 °C to 85°C T6: -50 °C to 65°C
		<b>Intrinsically Safe:</b> Class I, II, III, Division 1, Groups A, B, C, D, E, F, G: T4 Class I, Zone 0, AEx ia IIC T4 Ga FISCO Field Device (Only for FF Option) Ex ia IIC T4 Ga; Ex ic IIC T4 Gc	4-20 mA / DE/ HART	Note 2a	-50 °C to 70°C
		<b>Nonincendive:</b> Class I, Division 2, Groups A, B, C, D locations, T4 Class I, Zone 2, AEx nA IIC T4 Gc	Foundation Fieldbus	Note 2b	-50 °C to 70°C
		<b>Nonincendive:</b> Class I, Division 2, Groups A, B, C, D locations, T4 Class I, Zone 2, AEx nA IIC T4 Gc	4-20 mA / DE/ HART/ Foundation Fieldbus	Note 1	-50 °C to 85°C
		<b>Enclosure:</b> Type 4X/ IP66/ IP67	All	All	-
		<b>STANDARDS:</b> FM Class 3600:2011; FM Class 3610: 2010; FM Class 3611: 2004; FM Class 3615: 2006; FM Class 3616: 2011; FM Class 3810: 2005; ANSI/ISA 60079-0: 2013; ANSI/UL 60079-1: 2015; ANSI/UL 60079-11: 2014; ANSI/ISA 60079-15: 2012; ANSI/UL 60079-26: 2017; ANSI/UL 60079-31: 2015; ANSI/NEMA 250: 2003; ANSI/ IEC 60529: 2004			
B	Canadian Standards Association (CSA) USA and Canada	<b>Explosion Proof:</b> Class I, Division 1, Groups A, B, C, D; Class II, Division 1, Groups E, F, G; Class III, Division 1, T6..T5 Class I Zone 1 AEx db IIC T6..T5 Ga/Gb Ex db IIC T6..T5 Ga/Gb Zone 22 AEx tb IIIC T95° Db Ex tb IIIC T95° Db	All	Note 1	T5: -50°C TO 85°C T6: -50°C TO 65°C
		<b>Intrinsically Safe:</b> Class I, II, III, Division 1, Groups A, B, C, D; Class II, Division 1, Groups E, F, G; Class III, Division 1, T4 Class I Zone 0, AEx ia IIC T4 Ga Class I Zone 2, AEx ic IIC T4 Gc Ex ia IIC T4 Ga Ex ic IIC T4 Gc FISCO Field Device (Only for FF Option) Ex ia IIC T4 Ga; Ex ic IIC T4 Gc	4-20 mA / DE/ HART	Note 2	-50°C TO 70°C
		<b>Nonincendive:</b> Class I, Division 2, Groups A, B, C, D; Class II, Division 2, Groups F, G; Class III, Division 2, T4 Class I Zone 2 AEx nA IIC T4 Gc Ex nA IIC T4 Gc	Foundation Fieldbus	Note 2	-50°C TO 70°C
		<b>Nonincendive:</b> Class I, Division 2, Groups A, B, C, D; Class II, Division 2, Groups F, G; Class III, Division 2, T4 Class I Zone 2 AEx nA IIC T4 Gc Ex nA IIC T4 Gc	4-20 mA / DE/ HART/ Foundation Fieldbus	Note 1	-50°C to 85°C
		<b>Enclosure:</b> Type 4X/ IP66/ IP67	All	All	-

MSG CODE	AGENCY	TYPE OF PROTECTION	COMM. OPTION	ELECTRICAL PARAMETERS	AMBIENT TEMP (Ta)
		<b>STANDARDS:</b> CSA C22.2 No. 0-10; CSA C22.2 No. 94-M91; CSA C22.2 No. 25-1966; CSA C22.2 No. 30-M1986; CSA C22.2 No. 142-M1987; CSA C22.2 No. 157-92; CSA C22.2 No. 213-M1987; CSA-C22.2 No. 60529:05; CSA-C22.2 No. 60079-0:11; CSA-C22.2 No. 60079-1:11; CSA-C22.2 No. 60079-11:11; CSA-C22.2 No. 60079-15:12; CSA-C22.2 No. 60079-31:12; ISA 12.12.01-2010; ISA 60079-0: 2009; ISA 60079-11: 2011; ISA 60079-15: 2009; ISA 60079-26: 2008; ISA-60079-27:2007 (12.02.04)-2006 (R2011); UL 913 Ed. 6; UL 916:1998; ANSI/ISA-12.27.01-2011			
C	ATEX	<b>Flameproof: SIRA 12ATEX2233X</b> II 1/2 G Ex db IIC T6..T5 Ga/Gb II 2 D Ex tb IIIC T95°C...T120°C Db	All	Note 1	T5: -50°C TO 85°C T6: -50°C TO 65°C
		<b>Intrinsically Safe: SIRA 12ATEX2233X</b> II 1 G Ex ia IIC T4 Ga FISCO Field Device (Only for FF Option) II 1 G Ex ia IIC T4 Ga	4-20 mA / DE/ HART	Note 2	-50°C TO 70°C
			Foundation Fieldbus	Note 2	-50°C TO 70°C
		<b>Zone 2, Increase Safety: SIRA 12ATEX4234X</b> II 3 G Ex ec IIC T4 Gc	4-20 mA / DE/ HART/	Note 1	-50°C TO 85°C
		<b>Zone 2, Intrinsically Safe: SIRA 12ATEX4234X</b> II 3 G Ex ic IIC T4 Gc FISCO Field Device (Only for FF Option) II 3 G Ex ic IIC T4 Gc	4-20 mA / DE/ HART/ Foundation Fieldbus	Note 2	-50°C TO 85°C
		<b>Enclosure:</b> IP66/ IP67	All	All	-
		<b>STANDARDS:</b> EN 60079-0: 2012/A11: 2013; EN 60079-1: 2014; EN 60079-7: 2015; EN 60079-11: 2012; EN 60079-26: 2015; EN 60079-31: 2009			
D	IECEX World	<b>Flameproof: IECEx SIR 12.0100X</b> Ex db IIC T6..T5 Ga/Gb Ex tb IIIC T95°C...T120°C Db	All	Note 1	T5: -50°C TO 85°C T6: -50°C TO 65°C
		<b>Intrinsically Safe: IECEx SIR 12.0100X</b> Ex ia IIC T4 Ga FISCO Field Device (Only for FF Option) Ex ia IIC T4 Ga; Ex ic IIC T4 Gc	4-20 mA / DE/ HART	Note 2	-50°C TO 70°C
			Foundation Fieldbus	Note 2	-50°C TO 70°C
		<b>Zone 2, Increase Safety: IECEx SIR 12.0100X</b> Ex ec IIC T4 Gc	4-20 mA / DE/ HART/ Foundation Fieldbus	Note 1	-50°C TO 85°C
		<b>Zone 2, Intrinsically Safe: IECEx SIR 12.0100X</b> Ex ic IIC T4 Gc FISCO Field Device (Only for FF Option) Ex ic IIC T4 Gc	4-20 mA / DE/ HART/ Foundation Fieldbus	Note 2	-50°C TO 85°C
		<b>Enclosure:</b> IP66/ IP67	All	All	-
		<b>STANDARDS:</b> IEC 60079-0: 2011; IEC 60079-1: 2014; IEC 60079-7: 2017; IEC 60079-11: 2011; IEC 60079-26: 2014; IEC 60079-31: 2013			

E	SAEx South Africa	<b>Flameproof :</b> Ex d IIC T6...T5 Ga/Gb Ex tb IIIC T95°C...T120°C Db	All	Note 1	T5: -50°C TO 85°C T6: -50°C TO 65°C
		<b>Intrinsically Safe:</b> Ex ia IIC Ga T4 FISCO Field Device (Only for FF Option) Ex ia IIC T4 Ga; Ex ic IIC T4 Gc	4-20 mA / DE/ HART	Note 2	-50°C TO 70°C
			Foundation Fieldbus	Note 2	-50°C TO 70°C
		<b>Zone 2, Increase Safety:</b> II 3 G Ex ec IIC T4 Gc	4-20 mA / DE/ HART/ Foundation Fieldbus	Note 1	-50°C TO 85°C
		<b>Zone 2, Intrinsically Safe:</b> Ex ic IIC T4 Gc FISCO Field Device (Only for FF Option) Ex ic IIC T4 Gc	4-20 mA / DE/ HART/ Foundation Fieldbus	Note 2	-50°C TO 85°C
<b>Enclosure:</b> IP66/ IP67	All	All	-		
F	INMETRO Brazil	<b>Flameproof:</b> Ex db IIC T6..T5 Ga/Gb Ex tb IIIC T95°C...T120°C Db	All	Note 1	T5: -50°C TO 85°C T6: -50°C TO 65°C
		<b>Intrinsically Safe:</b> Ex ia IIC T4 Ga  FISCO Field Device (Only for FF Option) Ex ia IIC T4 Ga; Ex ic IIC T4 Gc	4-20 mA / DE/ HART	Note 2a	-50°C TO 70°C
			Foundation Fieldbus	Note 2b	-50°C TO 70°C
		<b>Zone 2, Increase Safety:</b> II 3 G Ex ec IIC T4 Gc	4-20 mA / DE/ HART/ Foundation Fieldbus	Note 1	-50°C TO 85°C
		<b>Zone 2, Intrinsically Safe:</b> Ex ic IIC T4 Gc FISCO Field Device (Only for FF Option) Ex ic IIC T4 Gc	4-20 mA / DE/ HART/ Foundation Fieldbus	Note 2	-50°C TO 85°C
		<b>Enclosure :</b> IP 66/67	All	All	-
G	NEPSI CHINA	<b>Flameproof:</b> Ex db IIC T6..T5 Ga/Gb Ex tb IIIC T 95°C Db	All	Note 1	T5: -50°C TO 85°C T6: -50°C TO 65°C
		<b>Intrinsically Safe:</b> Ex ia IIC T4 Ga FISCO Field Device (Only for FF Option) Ex ia IIC T4 Ga; Ex ic IIC T4 Gc	4-20 mA / DE/ HART	Note 2	-50°C TO 70°C
			Foundation Fieldbus	Note 2	-50°C TO 70°C
		<b>Zone 2, Increase Safety:</b> II 3 G Ex ec IIC T4 Gc	4-20 mA / DE/ HART/ Foundation Fieldbus	Note 1	-50°C TO 85°C
		<b>Zone 2, Intrinsically Safe:</b> Ex ic IIC T4 Gc FISCO Field Device (Only for FF Option) Ex ic IIC T4 Gc	4-20 mA / DE/ HART/ Foundation Fieldbus	Note 2	-50°C TO 85°C
<b>Enclosure :</b> IP 66/67	All	All	-		



a. Analog/DE/HART Entity Values

Vmax = Ui = 30V                      I<sub>max</sub>= I<sub>i</sub> = 105mA                      Ci = 4.2nF                      Li = 984 uH                      Pi = 0.9W

Transmitter with Terminal Block revision E or Later

Vmax = Ui = 30V                      I<sub>max</sub>= I<sub>i</sub>= 225mA                      Ci = 4.2nF                      Li = 0                      Pi = 0.9W

Note: Transmitter with Terminal Block revision E or later

The revision is on the label that is on the module. There will be two lines of text on the label:

- First is the Module Part #: 50049839-001 or 50049839-002
- Second line has the supplier information, along with the REVISION:  
XXXXXXXX-EXXXX, THE "X" is production related, THE POSITION of the "E" IS THE REVISION

b. Foundation Fieldbus Entity Values

Vmax = Ui = 30V                      I<sub>max</sub> = I<sub>i</sub> = 180mA                      Ci = 0nF                      Li = 984 uH                      Pi = 1W

Transmitter with Terminal Block revision F or Later

Vmax = Ui = 30V                      I<sub>max</sub> = I<sub>i</sub> = 225mA                      Ci = 0nF                      Li = 0                      Pi = 1 W

**FISCO Field Device**

Vmax = Ui = 17.5V                      I<sub>max</sub>= I<sub>i</sub> = 380 mA                      Ci = 0nF                      Li = 0                      Pi = 5.32 W

Note : Transmitter with Terminal Block revision F or later

The revision is on the label that is on the module. There will be two lines of text on the label:

- First is the Module Part #: 50049839-003 or 50049839-004
- Second line has the supplier information, along with the REVISION:  
XXXXXXXX-EXXXX, THE "X" is production related, THE POSITION of the "E" IS THE REVISION

**Approval Certifications:**

<b>Marine Certificates</b>	This certificate defines the certifications covered for the ST 800 Pressure Transmitter family of products, including the SMV 800 Smart Multivariable Transmitter. It represents the compilation of the five certificates Honeywell currently has covering the certification of these products into marine applications. For ST 800 Smart Pressure Transmitter and SMV800 Smart Multivariable Transmitter																
	<b>American Bureau of Shipping (ABS)</b> - 2009 Steel Vessel Rules 1-1-4/3.7, 4-6-2/5.15, 4-8-3/13 & 13.5, 4-8-4/27.5.1, 4-9-7/13. Certificate number: 04-HS417416-PDA																
	<b>Bureau Veritas (BV)</b> - Product Code: 389:1H. Certificate number: 12660/B0 BV																
	<b>Det Norske Veritas (DNV)</b> - Location Classes: Temperature D, Humidity B, Vibration A, EMC B, Enclosure C. For salt spray exposure; enclosure of 316 SST or 2-part epoxy protection with 316 SST bolts to be applied. Certificate number: A-11476																
	<b>Korean Register of Shipping (KR)</b> - Certificate number: LOX17743-AE001																
	<b>Lloyd's Register (LR)</b> - Certificate number: 02/60001(E1) & (E2)																
<b>SIL 2/3 Certification</b>	IEC 61508 SIL 2 for non-redundant use and SIL 3 for redundant use according to EXIDA and TÜV Nord Sys Tec GmbH & Co. KG under the following standards: IEC61508-1: 2010; IEC 61508-2: 2010; IEC61508-3: 2010.																
<b>MEASUREMENT INSTRUMENTS DIRECTIVE (MID) 2004/ 22/ EC</b>	<p><b>Certificate Issued by NMI Certin B.V.</b>  <b>Mechanical Class: M3                      Electromagnetic Environment: E3</b>  <b>Ambient Temperature Range: -25 °C to + 55 °C</b></p> <table border="1" style="margin-left: auto; margin-right: auto;"> <thead> <tr> <th style="text-align: center;">Unit</th> <th style="text-align: center;">Custom Calibration</th> </tr> </thead> <tbody> <tr> <td style="text-align: center;">STD820</td> <td style="text-align: center;">0 to 1000 mBar</td> </tr> <tr> <td style="text-align: center;">STD830</td> <td style="text-align: center;">0 to 7 Bar</td> </tr> <tr> <td style="text-align: center;">STA84L</td> <td style="text-align: center;">0 to 35 Bar A</td> </tr> <tr> <td style="text-align: center;">STG84L</td> <td style="text-align: center;">0 to 35 Bar</td> </tr> <tr> <td style="text-align: center;">STD870</td> <td style="text-align: center;">0 to 100 Bar</td> </tr> <tr> <td style="text-align: center;">STA87L</td> <td style="text-align: center;">0 to 100 Bar A</td> </tr> <tr> <td style="text-align: center;">STG87L</td> <td style="text-align: center;">0 to 100 Bar</td> </tr> </tbody> </table>	Unit	Custom Calibration	STD820	0 to 1000 mBar	STD830	0 to 7 Bar	STA84L	0 to 35 Bar A	STG84L	0 to 35 Bar	STD870	0 to 100 Bar	STA87L	0 to 100 Bar A	STG87L	0 to 100 Bar
Unit	Custom Calibration																
STD820	0 to 1000 mBar																
STD830	0 to 7 Bar																
STA84L	0 to 35 Bar A																
STG84L	0 to 35 Bar																
STD870	0 to 100 Bar																
STA87L	0 to 100 Bar A																
STG87L	0 to 100 Bar																

Reference Drawing

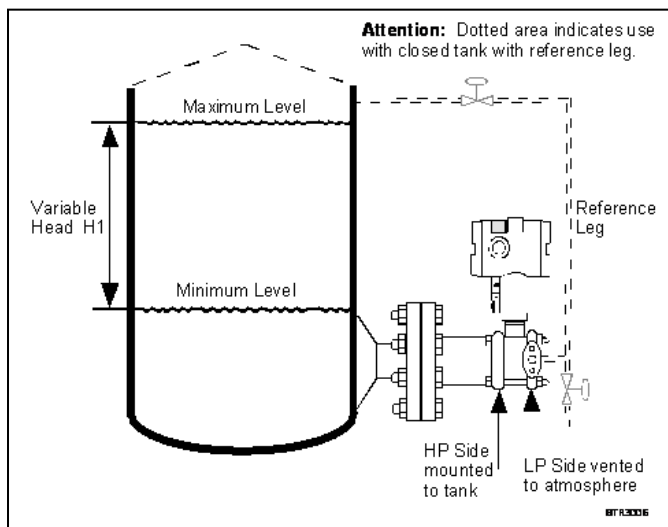


Figure 3 – Typical mounting for flange mounted level transmitter

## Dimensional Drawings

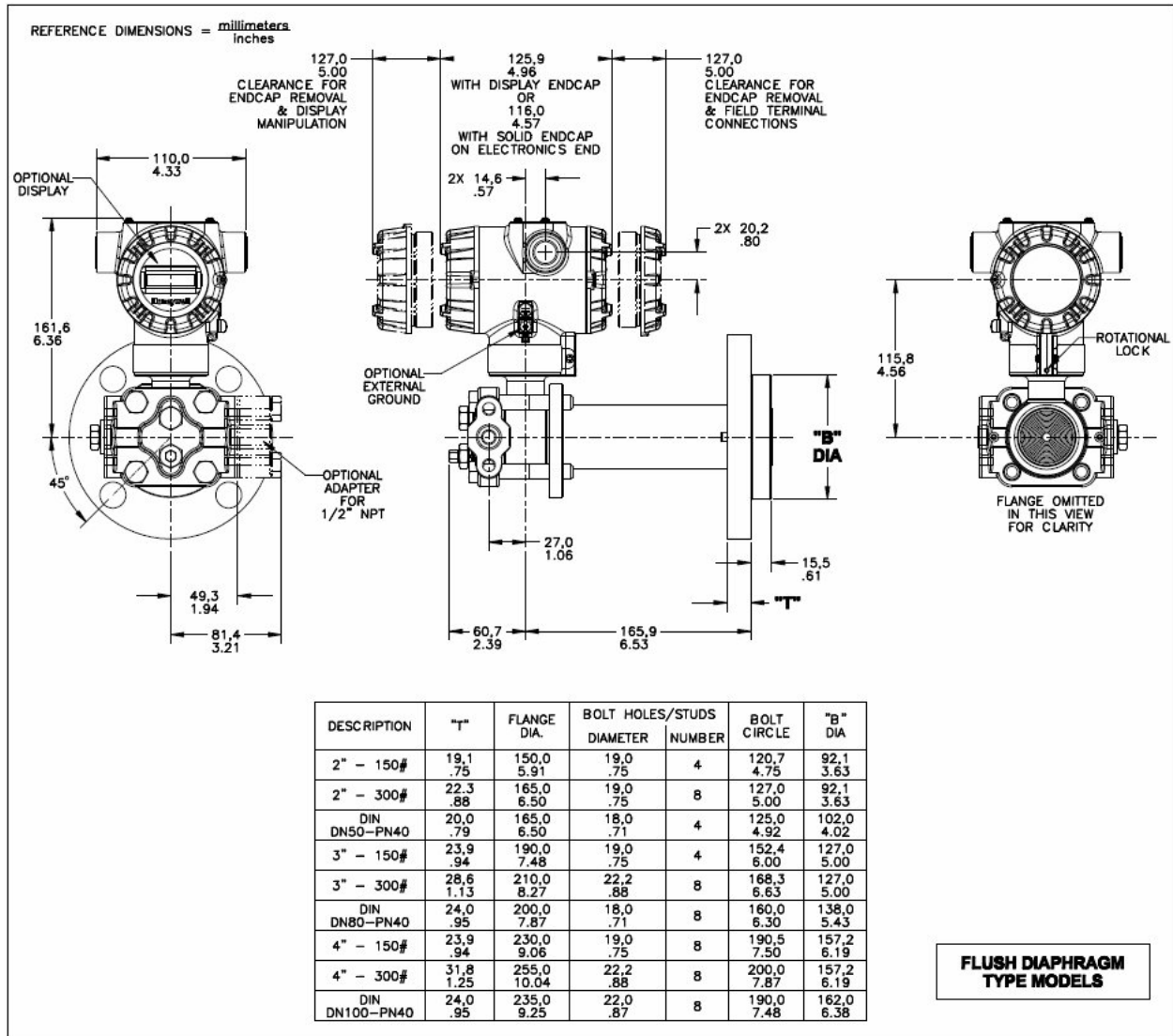


Figure 4— Typical mounting dimensions for flush diaphragm type models STF828 and STF832.

## Dimensional Drawings (con't)

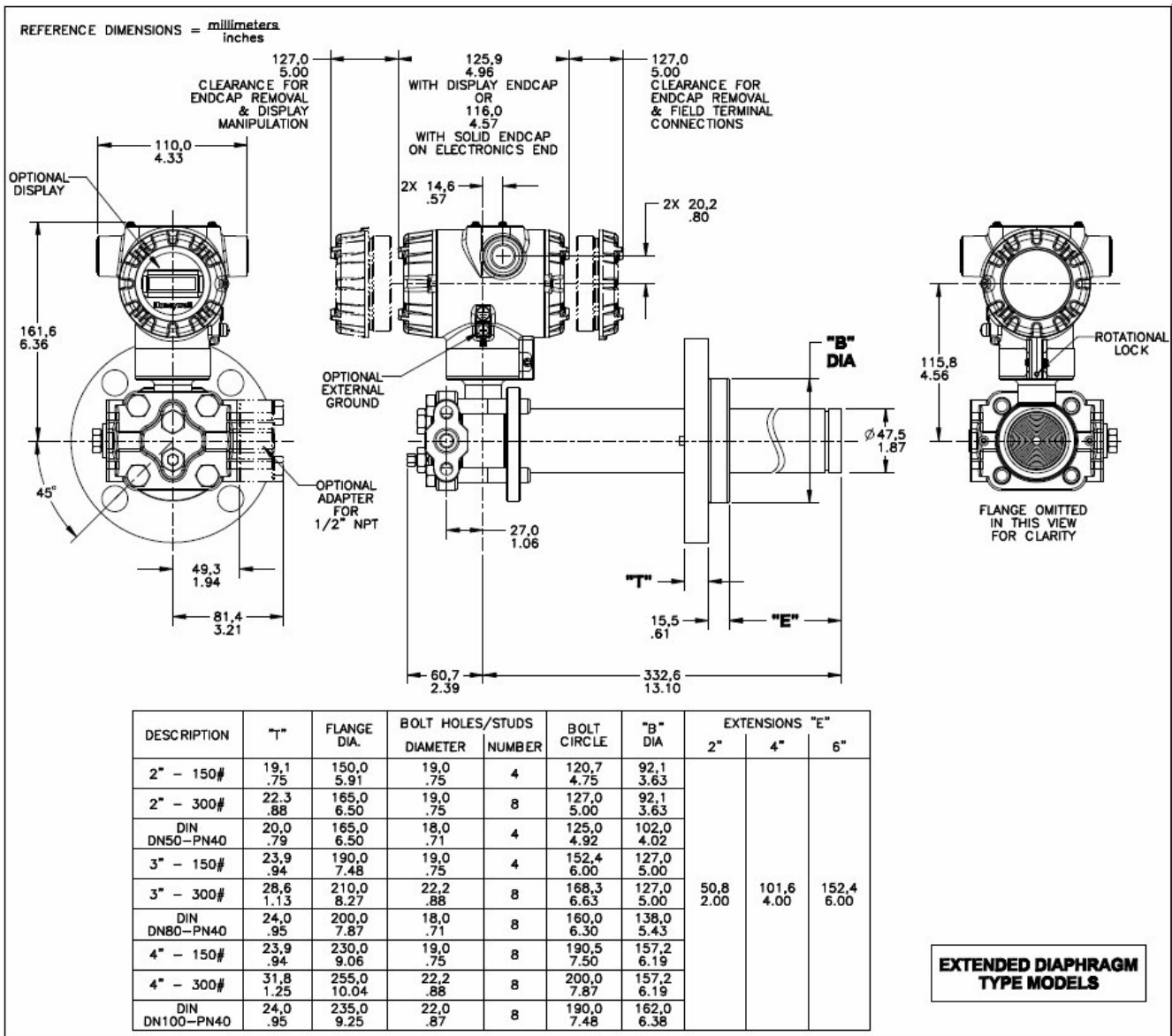


Figure 5- Typical mounting dimensions for extended diaphragm type models STF828 and STF832.



Dimensional Drawings (con't)

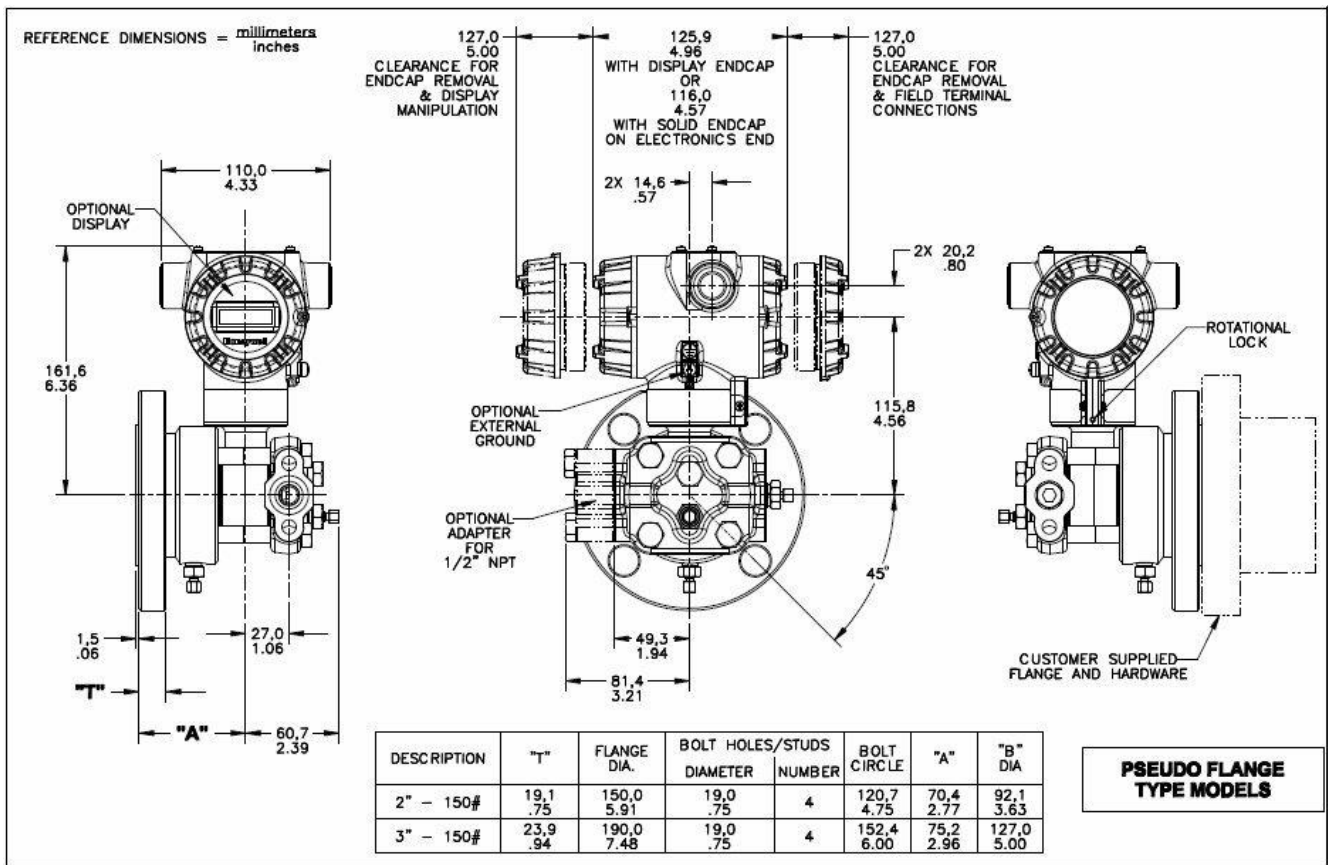


Figure 6– Typical mounting dimensions for pseudo flange type models STF82F, STF83F, and STF84F.

## Model Selection Guide

Model Selection Guides are subject to change and are inserted into the specifications as guidance only.

# Model STF800 Flange Mounted Liquid Level Transmitter

Model Selection Guide  
34-ST-16-87 Issue 21

Instructions									
<ul style="list-style-type: none"> <li>Select the desired Key Number. The arrow to the right marks the selection available.</li> <li>Make one selection from each Table (I, II and IX) using the column below the proper arrow.</li> <li>A(●) denotes unrestricted availability. Aletter denotes restricted availability.</li> <li>Restrictions follow Table IX.</li> </ul>									
Key Number	I	II	III	IV	V	VI	VII	VIII	IX
STF8 ___	-	-	-	-	-	-	-	-	+ 0000

KEY NUMBER	URL	LRL	Max Span	Min Span	Units	Selection	Availability
Measurement Range Std Accuracy	400 (1000)	-400 (-1000)	400 (1000)	4 (10)	" H <sub>2</sub> O (mbar)	STF828	↓
	100 (7)	-100 (-7)	100 (7)	1 (0.07)	psi (bar)	STF832	↓
	400 (1000)	-400 (-1000)	400 (1000)	1 (2.5)	" H <sub>2</sub> O (mbar)	STF82F	↓
	100 (7)	-100 (-7)	100 (7)	1 (0.07)	psi (bar)	STF83F	↓

TABLE I										
	Materials of Construction	Design	Ref. Head	Vent Drain Valve on Ref. Head <sup>2</sup>	Barrier Diaphragm. (wetted)	Diaphragm. Plate (wetted)	Extension (wetted)	Sel.		
Meter Body & Flange Design	a. Process Wetted Heads & Diaphragm Materials	Flush	Carbon <sup>1</sup> Steel	316 SS	316L SS	316L SS	N/A	A	•	
						Hast C <sup>3</sup>		316L SS	W	•
						Hast C <sup>3</sup>		316L SS	B	•
			Monel 400 <sup>4</sup>		Monel 400 <sup>4</sup>	C		•		
			316 SS <sup>5</sup>		316L SS	E		•		
			Hast C <sup>3</sup>		316L SS	X		•		
		Extended	Carbon <sup>1</sup> Steel	316 SS	316L SS	316L SS	316L SS	316L SS	N	•
									Hast C <sup>3</sup>	316L SS
			316 SS <sup>5</sup>		Hast C <sup>3</sup>				S	•
		Pseudo Flange	Carbon <sup>1</sup> Steel	316 SS	316L SS	316L SS	316L SS	N/A	1	•
									Hast C <sup>3</sup>	316L SS
			316 SS <sup>5</sup>		Monel 400 <sup>4</sup>				3	•
	b. Fill Fluid (Meter Body & Flange)	Silicone Oil 200						1	•	
		Fluorinated Oil CTFE						2	•	
		Silicone Oil 704						3	•	
		NEOBEE® M-20						4	•	
	c. Process Connection	Reference Head			Flange		Sel.			
		1/4 NPT			High Pressure Side		A		•	
					Low Pressure Side		C		•	
		1/2 NPT Adapter - material matches head material and head bolt material <sup>11</sup>			High Pressure Side		H		•	
				Low Pressure Side		K		•		
	d. Bolts for Process Heads	Carbon Steel Bolts						C	•	
		316 SS Bolts						S	•	
		A286 SS (NACE) Bolts						N	•	
B7M Bolts						B	•			
e. Vent/Drain Type/Location	Ref. Head Type	Vent Type	Location	Vent Material		Sel.				
	Single Ended	None	None	None		1		•		
	Single Ended	Std	Side	Matches Head Material <sup>11</sup>		2		•		
	Single Ended	Ctr Vent	Side	Stainless Steel Only		3		t t		
	Dual Ended	Std	End	Matches Head Material <sup>11</sup>		4		•		
	Dual Ended	Ctr Vent	End	Stainless Steel Only		5		t t		
Dual Ended	Vent/Plug	Side/End	Matches Head Material <sup>11</sup>		6		•			
f. Gasket Material	Teflon® or PTFE (Glass Filled)						A	•		
	Viton® or Fluorocarbon Elastomer						B	•		

<sup>1</sup> Carbon Steel heads are zinc-plated and not recommended for water service due to hydrogen migration. For that service, use the 316 stainless steel Wetted Reference Head.

<sup>2</sup> Vent/Drains are Teflon or PTFE coated for lubricity.

<sup>3</sup> Hastelloy® C-276 or UNS N10276

<sup>4</sup> Monel 400® or UNS N04400

<sup>5</sup> Supplied as 316 SS or as Grade CF8M, the casting equivalent of 316 SS.

<sup>6</sup> Supplied as indicated or as Grade CW12MW, the casting equivalent of Hastelloy® C-276

<sup>7</sup> Supplied as indicated or as Grade M30C, the casting equivalent of Monel 400®

<sup>10</sup> Monel 400® or UNS N04400 or UNS N04405

<sup>11</sup> Except Carbon Steel Heads shall use 316SS Vent/Drain, Plugs & Adapters when required



Availability  
STF8xx

TABLE V	CONFIGURATION SELECTIONS			Selection	28 32	2F 3F
a. Application Software	Diagnostics					
	Standard Diagnostics			1 __	*	*
	Advanced Diagnostics (Type 1: w/Plugged Impulse Detection PILD)			2 __	*	*
b. Output Limit, Failsafe & Write Protect Settings	Write Protect	Fail Mode	High & Low Output Limits <sup>3</sup>			
	Disabled	High> 21.0mAdc	Honeywell Std (3.8 - 20.8 mAdc)	_ 1 _	f	f
	Disabled	Low< 3.6mAdc	Honeywell Std (3.8 - 20.8 mAdc)	_ 2 _	f	f
	Enabled	High> 21.0mAdc	Honeywell Std (3.8 - 20.8 mAdc)	_ 3 _	f	f
	Enabled	Low< 3.6mAdc	Honeywell Std (3.8 - 20.8 mAdc)	_ 4 _	f	f
	Enabled	N/A	N/A	_ 5 _	g	g
Disabled	N/A	N/A	_ 6 _	g	g	
c. General Configuration	Factory Standard			_ _ S	*	*
	Custom Configuration (Unit Data Required from customer)			_ _ C	*	*

<sup>3</sup> NAMUR Output Limits 3.8 - 20.5mAdc can be configured by the customer or select custom configuration Table Vc

TABLE VI	CALIBRATION & ACCURACY SELECTIONS			Selection		
Accuracy and Calibration	Accuracy	Calibrated Range	Calibration Qty			
	Standard	Factory Std	Single Calibration	A	*	*
	Standard	Custom (Unit Data Required)	Single Calibration	B	*	*
	Standard	Custom (Unit Data Required)	Dual Calibration	C	*	*
	Standard	Custom (Unit Data Required)	Triple Calibration	D	*	*
	High Accuracy	Factory Std	Single Calibration	E	h	h
	High Accuracy	Custom (Unit Data Required)	Single Calibration	F	h	h
	High Accuracy	Custom (Unit Data Required)	Dual Calibration	G	h	h
High Accuracy	Custom (Unit Data Required)	Triple Calibration	H	h	h	

TABLE VII	ACCESSORY SELECTIONS			Selection		
a. Mounting Bracket	None (not required with flange mount unit)			0 _ _ _	*	*
b. Customer Tag	No customer tag			_ 0 _ _	*	*
	One Wired Stainless Steel Tag (Up to 4 lines 26 char/line)			_ 1 _ _	*	*
	Two Wired Stainless Steel Tag (Up to 4 lines 26 char/line)			_ 2 _ _	*	*
c. Unassembled Conduit Plugs & Adapters	No Conduit Plugs or Adapters Required			_ _ A0	*	*
	1/2 NPT Male to 3/4 NPT Female 316 SS Certified Conduit Adapter			_ _ A2	n	n
	1/2 NPT 316 SS Certified Conduit Plug			_ _ A6	n	n
	M20 316 SS Certified Conduit Plug			_ _ A7	m	m
	Minifast® 4 pin (1/2 NPT)			_ _ A8	n	n
	Minifast® 4 pin (M20)			_ _ A9	m	m

TABLE VIII	OTHER Certifications & Options: (String in sequence comma delimited (XX, XX, XX,....))	Selection		
Certifications & Warranty	None - No additional options	00	*	*
	NACE MR0175; MR0103; ISO15156 (FC33338) Process wetted parts only	FG	*	*
	NACE MR0175; MR0103; ISO15156 (FC33339) Process wetted and non-wetted parts	F7	c	c
	Marine (DNV, ABS, BV, KR, LR)	MT	i	i
	EN10204 Type 3.1 Material Traceability (FC33341)	FX	*	*
	Certificate of Conformance (F3391)	F3	*	*
	Calibration Test Report & Certificate of Conformance (F3399)	F1	*	*
	Certificate of Origin (F0195)	F5	*	*
	FMEDA (SIL 2/3) Certification (FC33337)	FE	j	j
	Over-Pressure Leak Test Certificate (1.5X MAWP) (F3392)	TP	*	*
	Cert Clean for O <sub>2</sub> or CL <sub>2</sub> service per ASTM G93	OX	e	e
	PMI Certification <sup>1</sup>	PM	*	*
	Extended Warranty Additional 1 year	01	*	*
	Extended Warranty Additional 2 years	02	*	*
	Extended Warranty Additional 3 years	03	*	*
Extended Warranty Additional 4 years	04	*	*	
Extended Warranty Additional 15 years	15	*	*	

TABLE IX	Manufacturing Specials	Selection		
Factory	Factory Identification	0000	*	*

**MODEL RESTRICTIONS**

Restriction Letter	Available Only with		Not Available with	
	Table	Selection(s)	Table	Selection(s)
a			VIII	FG, F7
b	Select only one option from this group			
c	ld	___ N,B ___	la	L _____
e	lb	_ 2 _____		
f			IVb	_ F _
g			IVb	_ H,D _
h	la	A,E,M,R,1,4 _____		
i	IVa	C,D,G,H __		
j	IVb	_ H _	Vb	_ 1,2,5,6, _
m	IVa	B,D,F,H __		
n	IVa	A,C,E,G __		
q	la	C,G,L _____		
s	la	A,W,B,E,X,F,J _____		
t			la	J,L _____
u			Va	2 _____
			VI	C,D,G,H _____
v	la	M,N,R,S _____		
w			la	M,N,R,S _____
			lib	_ 5 _

<sup>1</sup>The PM option is available on all Smartline Pressure Transmitter process wetted parts such as process heads, flanges, bushings and vent plugs except plated carbon steel process heads and flanges. PM option information is also available on diaphragms except Gold plated and STG and STA in-line construction pressure transmitters.

**FIELD INSTALLABLE REPLACEMENT PARTS**

Description	Kit Number
Integrally Mounted Basic Indicator Kit (Compatible with all Electronic Modules)	50049911-501
Integrally Mounted Advanced Indicator Kit (compatible with all Electronic Modules)	50049846-501
Terminal Strip w/Lightning Protection Kit for HART or DE Modules	50075472-532
Terminal Strip w/Lightning Protection Kit for FFB Module	50075472-534
Terminal Strip w/o Lightning Protection for HART or DE Modules	50075472-531
Terminal Strip w/o Lightning Protection FFB Module	50075472-533
HART Electronics Module	50049849-501
HART Electronics Module w/connection for external configuration buttons	50049849-502
DE Electronics Module	50049849-503
DE Electronics Module w/connection for external configuration buttons	50049849-504
FFB Electronics Module Kit	50049849-507
FFB Electronics Module w/connection for external configuration buttons	50049849-508

**PRODUCT MANUALS**

Description	Part Number
ST 800 Smart Transmitter User Manual - English	34-ST-25-35
ST 800 Smart Transmitter HART/DE Communications Manual - English	34-ST-25-38
ST 800 Smart Transmitter Safety Manual - English	34-ST-25-37
ST 800 Smart Transmitter Foundation Fieldbus Manual - English	34-ST-25-39
ST 800 Smart Transmitter Function Block Manual - English	34-ST-25-42

All product documentation is available at [www.honeywellprocess.com](http://www.honeywellprocess.com).

Hastelloy® is a registered trademark of Haynes International  
 Monel 400® is a registered trademark of Special Metals Corporation.  
 HART® is a registered trademark of HART Communication Foundation.  
 FOUNDATION™ Fieldbus is a trademark of Fieldbus Foundation.  
 Viton® is a registered trademark of DuPont Performance Elastomers.  
 Teflon® is a registered trademark of DuPont.  
 FM Approvals<sup>SM</sup> is a service mark of FM Global  
 DC® 200 is a registered trademark of Dow Corning

## Sales and Service

For application assistance, current specifications, ordering, pricing, and name of the nearest Authorized Distributor, contact one of the offices below.

### ASIA PACIFIC

Honeywell Process Solutions,  
Phone: + 800 12026455 or  
+44 (0) 1202645583  
(TAC) [hfs-tac-support@honeywell.com](mailto:hfs-tac-support@honeywell.com)

#### Australia

Honeywell Limited  
Phone: +(61) 7-3846 1255  
FAX: +(61) 7-3840 6481  
Toll Free 1300-36-39-36  
Toll Free Fax:  
1300-36-04-70

#### China – PRC - Shanghai

Honeywell China Inc.  
Phone: (86-21) 5257-4568  
Fax: (86-21) 6237-2826

#### Singapore

Honeywell Pte Ltd.  
Phone: +(65) 6580 3278  
Fax: +(65) 6445-3033

#### South Korea

Honeywell Korea Co Ltd  
Phone: +(822) 799 6114  
Fax: +(822) 792 9015

### EMEA

Honeywell Process Solutions,  
Phone: + 800 12026455 or  
+44 (0) 1202645583

#### Email: (Sales)

[FP-Sales-Apps@Honeywell.com](mailto:FP-Sales-Apps@Honeywell.com)

or

(TAC)

[hfs-tac-support@honeywell.com](mailto:hfs-tac-support@honeywell.com)

#### Web

Knowledge Base search  
engine <http://bit.ly/2N5Vldj>

### AMERICAS

Honeywell Process Solutions,  
Phone: (TAC) (800) 423-9883  
or (215) 641-3610  
(Sales) 1-800-343-0228

#### Email: (Sales)

[FP-Sales-Apps@Honeywell.com](mailto:FP-Sales-Apps@Honeywell.com)

or

(TAC)

[hfs-tac-support@honeywell.com](mailto:hfs-tac-support@honeywell.com)

#### Web

Knowledge Base search  
engine <http://bit.ly/2N5Vldj>

*Specifications are subject to change without notice*

### For more information

To learn more about SmartLine Transmitters,  
visit [www.process.honeywell.com](http://www.process.honeywell.com)  
Or contact your Honeywell Account Manager

### Process Solutions

Honeywell  
1250 W Sam Houston Pkwy S  
Houston, TX 77042

Honeywell Control Systems Ltd  
Honeywell House, Skimped Hill Lane  
Bracknell, England, RG12 1EB

Shanghai City Centre, 100 Jungi Road  
Shanghai, China 20061

[www.process.honeywell.com](http://www.process.honeywell.com)



34-ST-03-87  
January 2022

©2022 Honeywell International Inc.