

Standard system contact pressure gauges Industry version

with or without dampening

Nominal size ND 100

Accuracy class 1,0
according to DIN EN 837-1



Features

- Modular construction system ensures high reliability and long service life
- Measuring system stainless steel 1.4571
- Protection to IP 65
- Liquid dampening provides vibration-free display

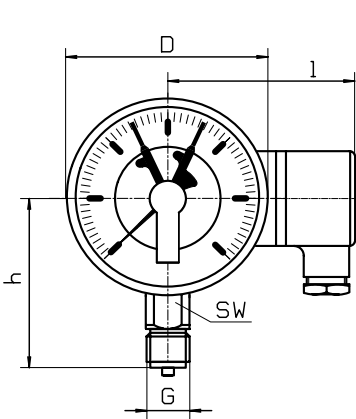
Applications

- Process engineering
- Mechanical engineering and plant construction
- Water treatment

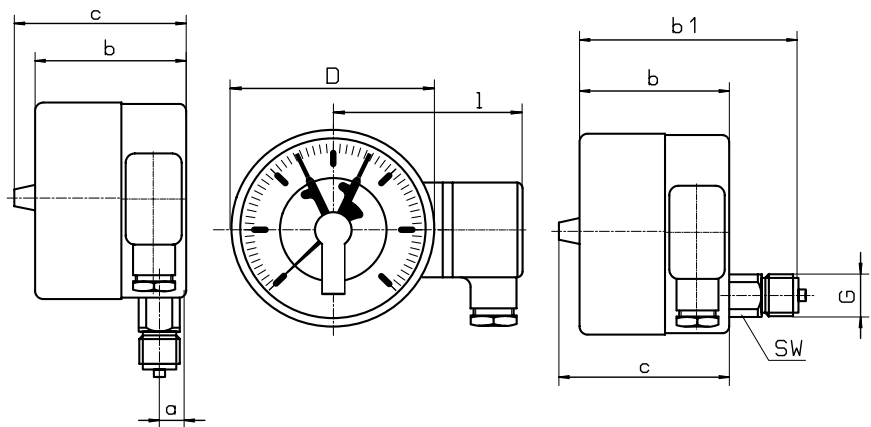
Models and ND			with silicon oil filling	
	KMR-20 100	KMR-25 100	KMR-20 F 100	KMR-25 F 100
Connection	bottom	back, eccentric	bottom	back, eccentric
Ranges in bar	0...1, 1,6, 2,5, 4, 6, 10, 16, 25, 40, 60, 100, 160, 250, 400, 600, 1.000, 1.600 -1 / 0, -1 / +0,6, -1 / +1,5, -1 / +3, -1 / +5, -1 / +9, -1 / +15			
Applications	Constant load : up to full scale value Alternating load: up to 0,9 x full scale value Short-time: overload capacity 1,3 x full scale value			
Case	CrNi steel			
Bezel	CrNi steel			
Window	Polycarbonate			
Dial	Aluminium white, scale and imprint black to DIN 16109			
Pointer	Aluminium, black			
Movement	CuZn-alloy			
Measuring element	CuZn-alloy up to 40 bar, above 60 bar helical spring stainless steel			
Pressure Connection	Copper Alloy up to 1000 bar, > 1000 bar CrNi steel			
Connection thread	G 1/2 B			
Protection	IP 54 to EN 60529 / IEC 529		IP 65 to EN 60529 / IEC 529	
Temperatures	Medium: -20°C to 80°C, Ambient: -25°C to 60°C			
Weight	0,9		1,4	
Technical Information for Contact types look at modelspecification M 950 and M 960				

Dimensions

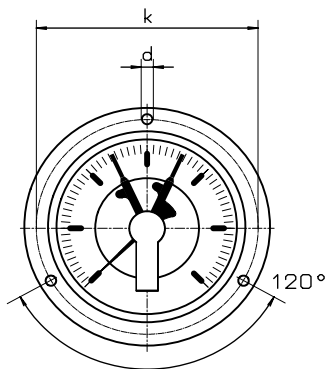
Connection bottom



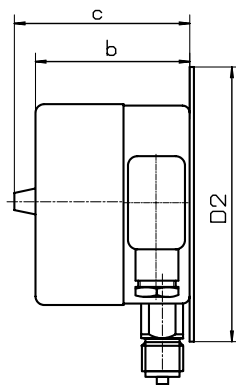
Connection back, eccentric



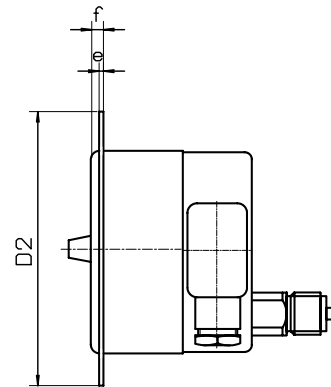
Front / rear mounting flange



rear mounting flange



front mounting flange



Dimensions in mm

Model	NG	D	a	b	b1	h		D2	e	f	k	d	sw	G
KMR-20	100	101	15	78	-	86		132	2	6	116	5	22	G 1/2 B
KMR-25	100	101	-	78	113	-		132	2	6	116	5	22	G 1/2 B

Model	NG	c	l
KMR-20	100	88	88
KMR-25	100	88	88

Model specification

Model	Connection	Filling	Nominal size	Range	Options
KMR-2	0 or 5	F or -	100	f.e. 10 bar	f.e. M12
	Bottom = 0 Back eccentric = 5	with filling = F without filling =	Case ND 100 = 100	after rangespecification for 10 bar = 010	Contact in Specification Contact closes/ opens

Standard system contact pressure gauges Industry version without and with filling

with or without dampening

Nominal size ND 100
according to DIN EN 837-1

Accuracy class 1,0
according to DIN EN 837-1

Features

- Modular construction system ensures high reliability and long service life
- Measuring system stainless steel 1.4571
- Protection to IP 65
- Liquid dampening provides vibration-free display



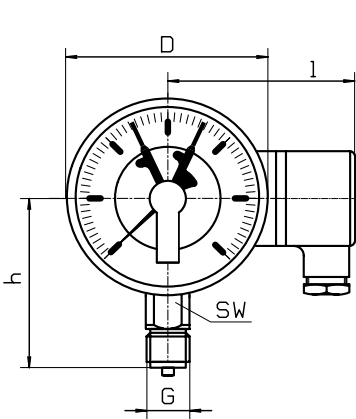
Applications

- Process engineering
- Mechanical engineering and plant construction
- Water treatment

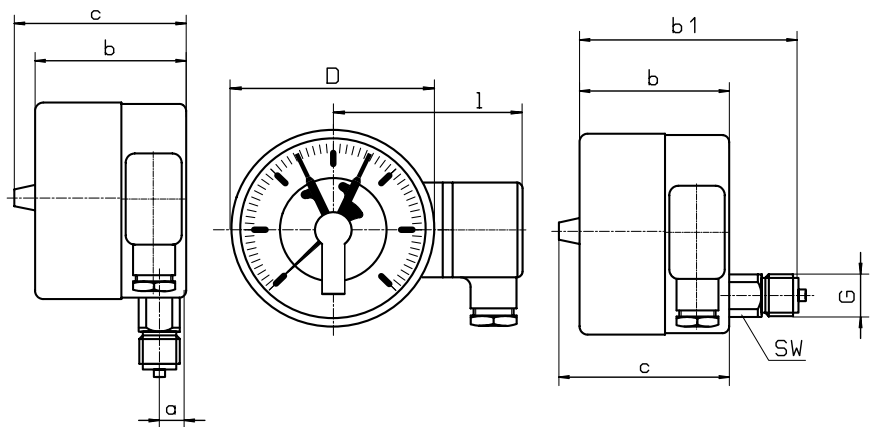
	with silicon oil filling			
Models and ND	KMR-20 160	KMR-25 160	KMR-20 F 160	KMR-25 F 160
Connection	bottom	back, eccentric	bottom	back, eccentric
Ranges in bar	0...1, 1,6, 2,5, 4, 6, 10, 16, 25, 40, 60, 100, 160, 250, 400, 600, 1.000, 1.600 -1 / 0, -1 / +0,6, -1 / +1,5, -1 / +3, -1 / +5, -1 / +9, -1 / +15			
Applications	Constant load : up to full scale value Alternating load: up to 0,9 x full scale value Short-time: overload capacity 1,3 x full scale value			
Case	CrNi steel			
Bezel	CrNi steel			
Window	Polycarbonate			
Dial	Aluminium white, scale and imprint black to DIN 16109			
Pointer	Aluminium, black			
Movement	CuZn-alloy			
Measuring element	CuZn-alloy up to 40 bar, above 60 bar helical spring CrNi steel			
Pressure Connection	Copper Alloy up to 1000 bar, > 1000 bar CrNi steel			
Connection thread	G 1/2 B			
Protection	IP 54 to EN 60529 / IEC 529		IP 65 to EN 60529 / IEC 529	
Temperatures	Medium: -20°C to 80°C, Ambient: -25°C to 60°C			
Weight	1,8 kg		3,3 kg	
Technical Information for Contact types look at model specification M 950 and M 960				

Dimensions

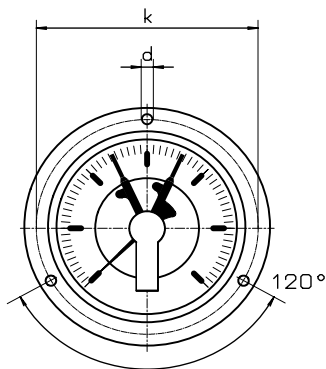
Connection bottom



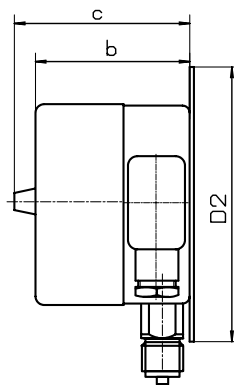
Connection back, eccentric



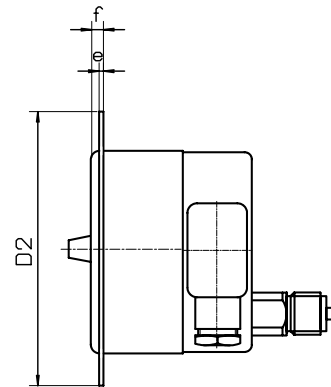
Front / rear mounting flange



rear mounting flange



front mounting flange



Dimensions in mm

Model	NG	D	a	b	b1	h		D2	e	f	k	d	sw	G
KMR-20	160	160	15	97	-	118		196	3	8	178	5,6	22	G 1/2 B
KMR-25	160	160	-	97	132	-		196	3	8	178	5,6	22	G 1/2 B

Model	NG	c	l
KMR-20	160	107	118
KMR-25	160	107	118

Modelspecification

Model	Connection	Filling	Nominal size	Range	Options
KMR-2	0 or 5	F or -	160	f.e. 10 bar	f.e. M 12
	Bottom = 0 Back eccentric = 5	with filling = F without filling =	Case with ND 160 = 160	after rangespecification for 10 bar = 010	Contact a. Specification Contact closes/ opens