

Alarm contacts for Pressure gauges with magnetic snap-action contacts or sliding contacts

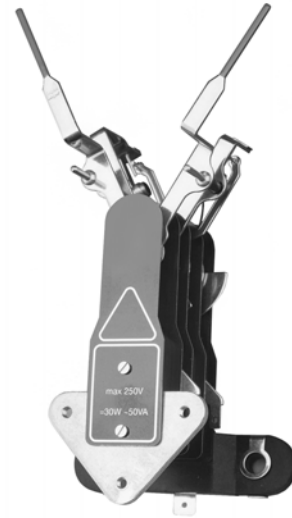
Application

Magnetic snap-action contacts you can take for all applications.
For high switching power we advise our high current rating relay
For applications in filled pressure gauges or for explosion protected zones you must take our inductive alarm contacts .

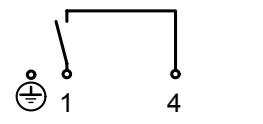
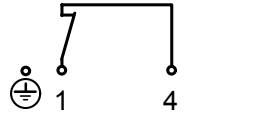
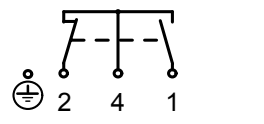
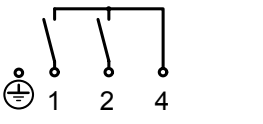
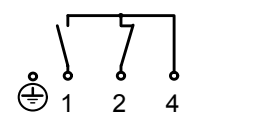
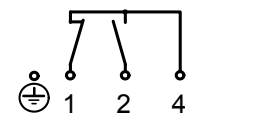
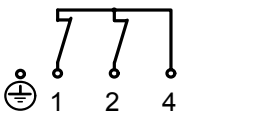
By rated normal voltage > 50 VAC bzw. > 120 VDC must be the contact according to DIN VDE 0110 reliable grounded.

Technical data

Nominal voltage	max. 250 V
Minimal voltage	24 V at ohmic demand and in air
On-and off current:	max. 1,0 A
Constant current:	max. 0,6 A
Minimum current :	20 mA
Switching power :	max. 30 W; 50 VA
Min. switching power :	0,4 W; 0,4 VA
Contact materials	Ag80 Ni20 (other on request)
Switching accuracy	ca.2-5 % off full scale value
Operating temperature	-20...+70 °C



Switching function			
Contact model	Clockwise pointer motion	Contact model	Clockwise pointer motion
M-1	Contact closes	M-12	1.contact closes 2.contact opens
M-2	Contact opens	M-21	1.contact opens 2.contact closes
M-3	Single contact changing contact	M-22	1.contact opens 2.contact opens
M-11	1.contact closes 2.contact closes	M-33	double contact changing contact

Connection plan			
<p>M-1</p> 	<p>M-2</p> 	<p>M-3</p> 	<p>M-11</p> 
<p>M-12</p> 	<p>M-21</p> 	<p>M22</p> 	<p>M-33</p> 