

# All stainless steel pressure gauges with Bourdon tube

Nominal size ND 100 ,ND 160  
Accuracy class 1.0

according to DIN EN 837-1

## Features

Ideal for hard conditions  
High reliability on a longterm basis  
Stainless steel case and measuring system  
Overrange protection 1,3 times max.  
Protection IP 54 resp.IP 65 (filled)



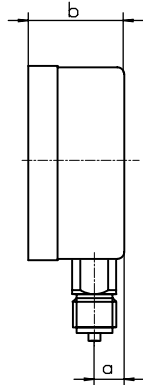
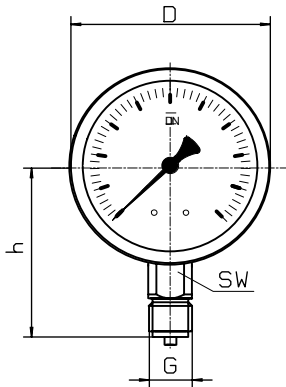
## Applications

Chemical and petrochemical industry  
Foodstuffs and beverages industry  
Paper industry

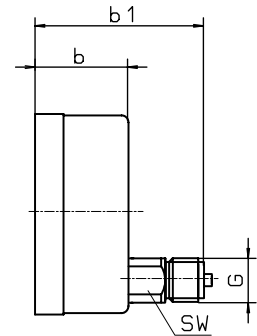
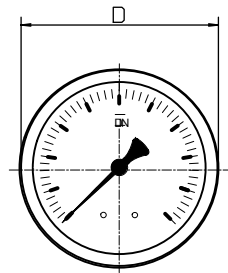
Models and ND	MR-30 100	MR-35 100	MR-30 160	MR-35 160
Connections	bottom	back, eccentric	bottom	back, eccentric
Ranges in bar	0...0,6, 1, 1,6, 2,5, 4, 6, 10, 16, 25, 40, 60, 100, 160, 250, 400, 600, 1.000, 1.600 -0,6 / 0, -1 / 0, -1 / +0,6, -1 / +1,5, -1 / +3, -1 / +5, -1 / +9, -1 / +15, -1 / +24			
Application	Constant load : up to full scale value , >1000 bar 3/4 Alternating load : up to 0,9 x full scale value , > 1000 bar 2/3 Overrange protection 1,3 times max. , > 1000 bar full scale value			
Case	CrNi steel , pressure relief opening ( closed with rubber disk)			
Bezel	CrNi steel			
Window	Laminated safety glass			
Dial	Aluminium , white ,scale and imprint black			
Pointer	Aluminium, black			
Movement	CrNi steel			
Measuring element	CrNi steel ,Bourdon tube <40 bar, helical tube > 60 bar,			
Connection	CrNi			
Connection thread	G 1/2 B			
Protection	IP 54 to EN 60529 / IEC 529			
Temperature drift	Medium: -20°C to 80°C, Ambient : -25°C to 60°C			
Weight	0,6 kg		1,0 kg	

## Dimensions

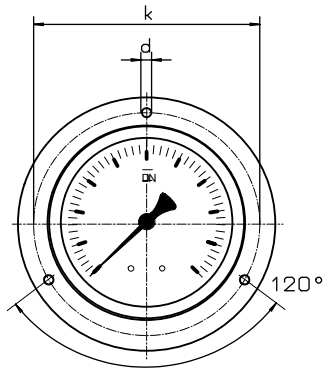
Connection bottom



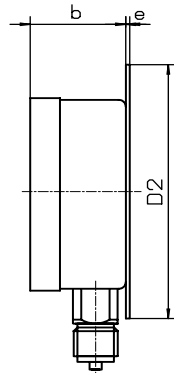
Connection back, eccentric



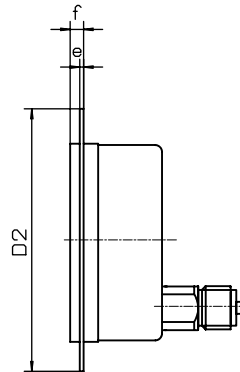
front flange



rear flange

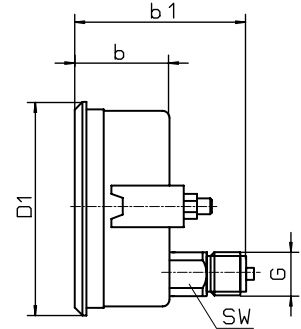


front flange



with triangle

bezel a. U-clamp



Dimensions in mm														
Model	NG	D	a	b	b1	h	D1	D2	e	f	k	d	sw	G
MR-30	100	101	15	49	-	86	107	132	2	6	116	5	22	G 1/2 B
MR-35	100	101	-	49	85	-	107	132	2	6	116	5	22	G 1/2 B
MR-30	160	160	15	51	-	118	-	196	3	8	178	5,6	22	G 1/2 B
MR-35	160	160	-	51	86	-	166	196	3	8	178	5,6	22	G 1/2 B

### Modelspecification

