

TECHNOLOGY

HOLYKELL®

HPT906
PRESSURE
• DATASHEET •

1. Pressure Measurement 2. Level Measurement 3. Temperature Measurement
4. Flow Measurement 5. Display & Control Instruments
6. Wireless Monitoring System 7. Velocity Measurement

HPT 906

Standard Industry Compact Hydraulic Pressure Transducers

Applications

- Gas pressure measurement
- Oxygen Services
- Petrochemical industry
- Hydraulic and pneumatic systems
- Mine metallurgy
- HAVC, LNG, CNG Systems
- Refrigeration, Compressor systems
- Industrial machinery manufacture
- Construction, engineering machinery
- Combustion engine, oil engine and generator units.
- Hydraulic and pneumatic systems

Characters

- Accuracy: $\leq \pm 0.2\%$ F.S.
- Wide working temperature scope
- Max 10 years lifetime
- Excellent resistance against impact, overload, shock and erosion.
- Highly-efficient lighting absorption and strong RFI & EMI resistance
- Resistance to resistance and disturbance
- 150% to 300% range safe overload.
- 200% to 4000% range burst pressure
- CE approval

Profiles

HPT906 U.K sputtered thin film pressure transducer unit offers an unbeatable price/performance ratio in a small package size. It features all-stainless steel wetted parts, and hermetically sealed enclosures without O-rings. Dual seal approval and flush mounting are optional. A broad selection of electrical and pressure connections, and a wide choice of electrical outputs to allow stock configurations suitable for most applications without modification.

HPT906 features include availability in seven unique ranges from 0-5 bar to 0-2,000 bar, with choice of loop powered (4-20 mA) or low power (0.5-4.5V) output. They are RoHS, ATEX and CE approved and are accompanied by 12 months product line warranty. Additionally, it has a good shock and vibration resistance, excellent over pressure protection, long term reliability, suitable for hydraulic and general industry, heavy equipment pressure measurement applications.

Holykell can provide a cost effective solution for pressure monitoring for a variety of applications. Welcome your inquiry.



Measuring range

bar	0 to 5	0 to 2000
psi	72.5 to 29000	
MPa	0.5 to 200	

They give measuring range are also available in Mpa, Pa, in Hg, mm Hg.

Materials

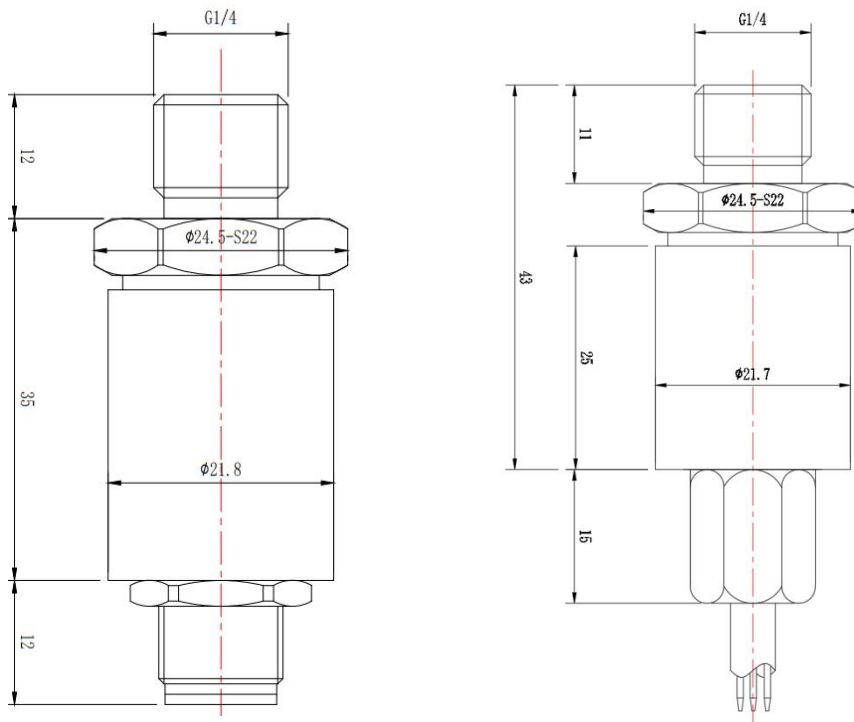
Wetted Parts	Standard	Option
Case	316SST	17-4PH / Titanium alloy
Sensor	sputtered film	NA
Cable	PVC	By customized

Specifications

Ambient Temperature: 25°C (unless specified)

Parameter	HPT906			
Pressure Range	0-5Bar.....2000 Bar Optional			
Overload	300% F.S. (5...25Bar),200% F.S. (40...600Bar),150% F.S.(700...2000Bar)			
Burst Pressure	4000% F.S.(5...25Bar),1000% F.S. (40...600Bar),200% F.S.(700...2000Bar)			
Accuracy:	≤ ±0.2%F.S Typical			
(Linearity Hysteresis	≤ ±0.1%F.S (Optional)			
Repeatability)	≤ ±0.05%F.S (Customized) Including non-lin., rep. and hys. Optional			
Long Stability	≤ ± 0.1%F.S/Year			
Medium Temp	-30°C ...85°C (Typical)			
Ambient temp	-40°C... 85°C(Typical)			
Temperature compensation	0°C~80°C			
Medium compatible	Compatible with 316L Stainless Steel			
Electronic Wire Output	2 Wires		3 Wires	
	4~20mA	0-5V	0-10V	0.5~4.5 V
Power Supply	9~30Vdc	15-30Vdc	15-30Vdc	5Vdc
Insulate resistance	(U-10)/0.02(Ω)	For Current Type: (U-10)/0.02 (Ω), For Voltage Type: >100 KΩ		
Load resistance	>500M Ω @250V			
Zero Temp. Drift	0.02%F.S./°C			
Sensitive Temp. Drift	0.02%F.S./°C			
Vibration Influence	5-1000 Hz, 2mm Amplitude, X,Y,Z 30 minutes, output changes less than 0.03%F.S. 50g;			
Impact Influence	50g; 11ms GB/T2423.5-1995			
Materials	316 Stainless steel or 17-4PH steel by customized			
Electronic connection	4 Pins M12 Connectors IP67			
Pressure connect port	G1/4"male, 1/4"NPT male optional. (or mass order by customized)			
Certificate	CE approving or intrinsic safety by customized.			
Electromagnetic compatibility	EN 61326-1:2013; EN 61326-2-3:2013			
Response time	≤1ms			

Dimensions and Drawing



Unit: mm

Electronic Connections

	M12*1.0 4 Pins Connector				Directly sealed cable		
	Current	1	Vcc+ / Brown			Current	Red
Voltage	2	S _i + / White			Green	S _i +	
	3	NC			Black	Shield	
	4	Shield / Black			Red	Vcc+	
	1	Vcc+ / Brown			Green	S _i +	
	2	S ₊ / White			Black	GND	
	3	GND / Blue			Yellow	Shield	
	4	Shield / Black					

S=Signal, Vcc=Power Supply, GND=Vcc-&S-

Pressure Connections				
M20x1.5 male	1/2" NPT male	1/4" NPT male	G1/2" male	G1/4" male
<p>M20x1.5 male</p>	<p>1/2" NPT</p>	<p>1/4" NPT</p>	<p>G1/2"</p>	<p>G1/4"</p>

How to Order

1. Pressure Range Selection Table:

01	-1~9	02	-1~20	03	-1~65	04	0~6	05	0~10	06	0~16	07	0~20	08	0~25	09	0~30
10	0~35	11	0~40	12	0~45	13	0~50	14	0~60	15	0~65	16	0~70	17	0~80	18	0~100
19	0~150	20	0~160	21	0~200	22	0~250	23	0~300	24	0~350	25	0~400	26	0~500	27	0~600
28	0~700	29	0~1000	X	By Customized												



Kindly according to your application select suitable range code , Example: Code 21 =200 .
Unit of measure select on the Part Number Selection Table . Example: Code B=Bar , that's 200 bar .

2. Part Number Selection Table:

HPT906 Selection Type	S	21	B	G	E5	S6	3	N	7	001
Electronic Connection	S= Directly Outlet Cable IP67 M= M12 (4-pole) Type IP67									
Pressure Range	Range refer to pressure range selection table code									
Pressure Unit	B=bar P=psi M=MPa									
Pressure type	G=Gauge/relative									
Signal Output	E5=4-20mA (2 Wires) E8= 0.5-4.5V (3 wires)									
Power Supply	S17=10-30Vdc(for code E5) S6=5Vdc(for Code E8)									
Pressure connection	3= 1/4" NPT male 6=G1/4" male 5= 1/8"NPT male X= By Customized									
Other option	O=Oxygen Services X=Withstand Xylene N=Standard Type									
Accuracy	7=±0.2%F.S (Typical) 3=±0.1%F.S (optional)									
Cable length	000=Non-Cable 001= Cable 1M 006= Cable 6M X= By Customized									

Accessories

(Notes: Purchased separately. For the price of accessories, please contact our sales.)

	Description	Order number
	Liquid level display control device With all kinds of liquid level sensor, measurement according to liquid level, and according to the setting of the container structure and size and the density of liquid, calculation, display liquid volume or quality.	0008
	Damper Use for protection pulse pressure to destroy sensor.	0025

Order information

Model /Measuring range /Output Signal/Medium/Cable length/Case/Accessories