

VÁLVULAS DE FLOTADOR / FLOAT VALVES

VÁLVULA DE FLOTADOR PASO ANGULAR CON BOYA INOX ROSCA BSP (e-float) BALANCE FLOAT VALVE WITH S.STEEL THREADED BSP



UTILIZACIÓN / APPLICATION :

Control del nivel de cierre en depósitos para redes de distribución de agua.
Designed for their application in tanks with the function of automatic control of water levels.

CARACTERÍSTICAS GENERALES / GENERAL CHARACTERISTICS :

Rango desde DN1/2" hasta DN2" / Range from ND1/2" up to ND2".
Flotador en acero inoxidable / Stainless Steel float.
Baja pérdida de carga / Small head loss.
Fácil instalación libre de mantenimiento / Easy installation and free maintenance.

NORMATIVAS / STANDARDS :

D.E.S.P. 2014/68 / Not subject - article 4 § 3
Pruebas de presión: EN 12266-1 / Pressure Test: EN 12266-1.
Rosca BSP ISO 228 / BSP Threaded ISO 28
Montaje horizontal / Horizontal mounting.
Fijación mediante pasamuros y contratuerca / Attachment by wall feed-through and lock-nut.

CONDICIONES DE SERVICIO / WORKING CONDITIONS:

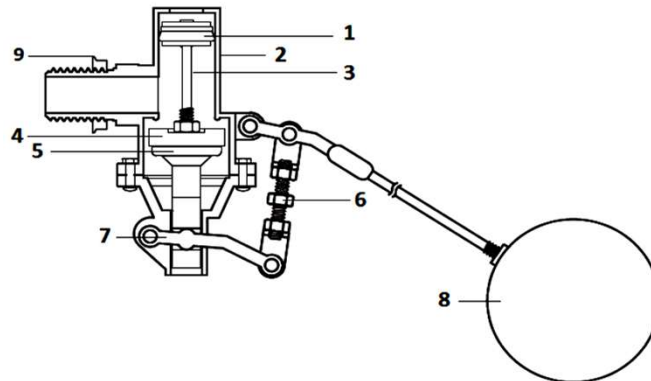
Máxima presión de trabajo / Maximum Working Pressure : 10 bar
Temperatura de trabajo / Working Temperature : - 10 °C / + 80 °C.

TF-FVA-SS-T

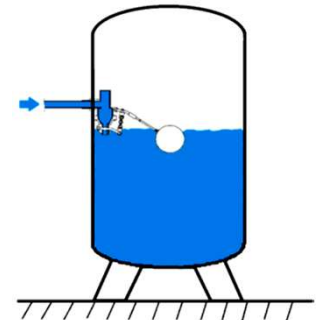


MATERIALES / CONSTRUCTION :

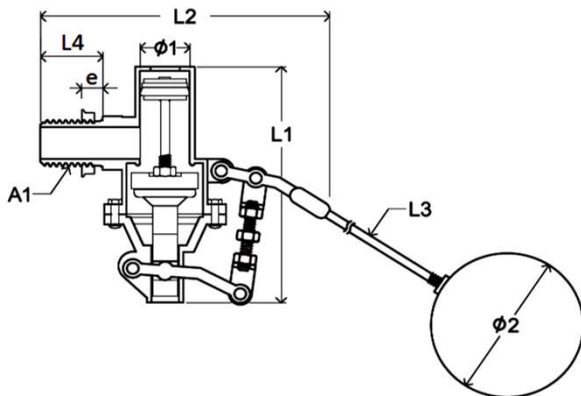
| No. | Pieza Part | Material Material |
|-----|-------------------------------------|-------------------------------------|
| 1 | Junta Gasket | Tórica EPDM O'ring EPDM |
| 2 | Cuerpo Body | A.Inox 1.4301 S.Steel 1.4301 |
| 3 | Eje Stem | A.Inox AISI.304 S.Steel AISI-304 |
| 4 | Junta Gasket | Tórica EPDM O'ring EPDM |
| 5 | Pistón Piston | A.Inox AISI.304 S.Steel AISI-304 |
| 6 | Tornillo ajuste Adjustment screw | A.Inox AISI.304 S.Steel AISI-304 |
| 7 | Brazo Lever arm | A.Inox 1.4301 S.Steel 1.4301 |
| 8 | Flotador Float | A.Inox AISI.304 S.Steel AISI-304 |
| 9 | Tuerca bloqueo Lock-nut | A.Inox 1.4301 S.Steel 1.4301 |



INSTALACIÓN / FACILITY



DIMENSIONES / DIMENSIONS :



| DN ND | L1 | L2 | Ø1 | L3 | L4 | e | Ø2 | Caudal Flow-rate (m3/h) to 3,5 Bar | Peso Weight |
|----------|-----|-----|----|-----|----|---|-----|---|----------------|
| 1/2" | 110 | 60 | 20 | 240 | 20 | 6 | 100 | 4,5 | 0,70 |
| 3/4" | 115 | 82 | 20 | 240 | 25 | 7 | 100 | 9,1 | 0,70 |
| 1" | 115 | 82 | 20 | 240 | 30 | 7 | 100 | 22,7 | 0,80 |
| 1 1/2" | 170 | 120 | 31 | 350 | 35 | 9 | 150 | 56 | 1,70 |
| 2" | 210 | 130 | 40 | 450 | 45 | 9 | 150 | 56 | 2,40 |