

Thermometer with Bimetal coil Standard version

Nominal size ND 63, 80, 100 and 160
Accuracy class 2,0

according to DIN 16 203 and 16 204

Features

Simple construction
Short energizing time

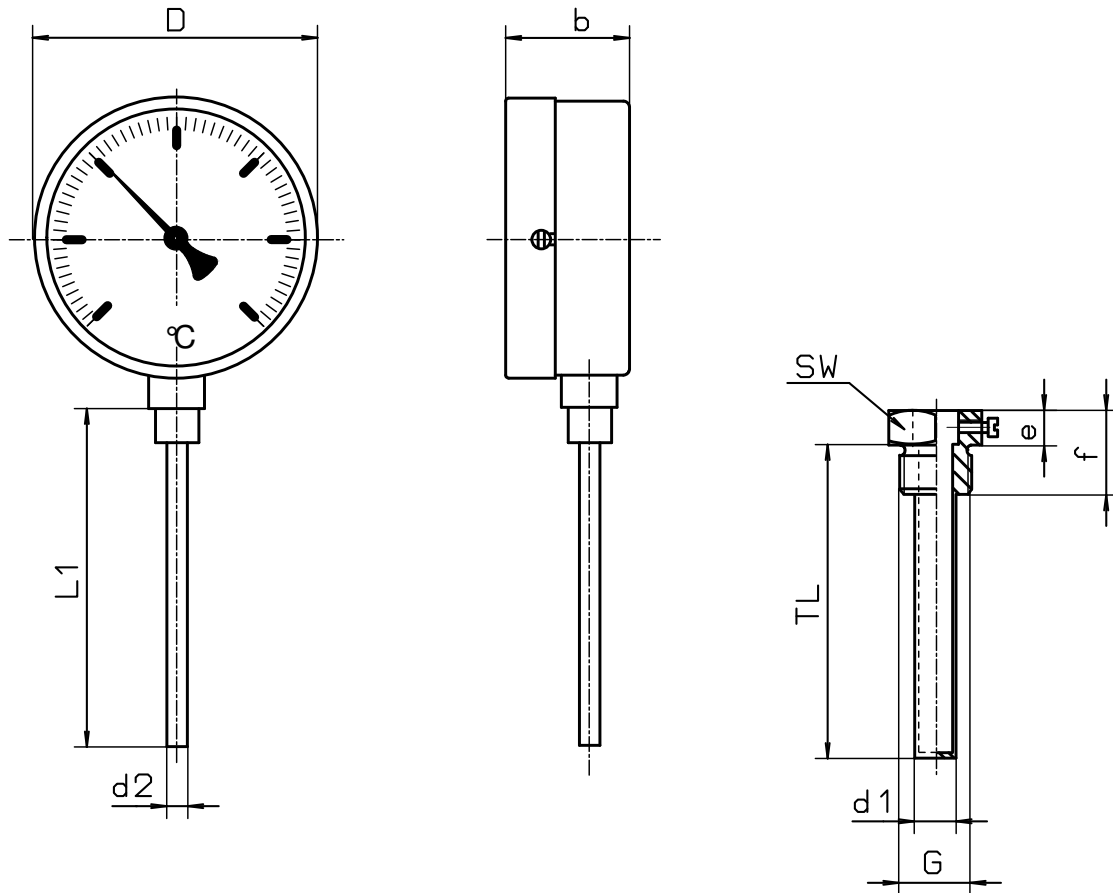
Applications

Heating systems



Model and ND	TB-10 63	TB-10 80	TB-10 100	TB-10 160
Connection	bottom			
Ranges	-30...+50°C, -20...+60°C, -10...+50°C 0...40°C, 0...60°C, 0...80°C, 0...100°C, 0...120°C, 0...160°C, 0...200°C, 0...250°C other on request			
Application	Full scale value			
Case	Steel , zinc plated			
Bezel	Steel , nickel plated			
Window	Acrylic glass			
Dial	Aluminium white ,scale and imprint black			
Pointer	Aluminium, black			
Measuring element	Bimetal coil			
Display correction	at plain stem end			
Stem	Copper alloy , diameter 9 mm			
Thermowell	thermowell detachable with lateral screw SW 21, copper alloy			
Stem length	45, 63, 100, 150, 200, 250 mm, other length on request			
Connection thread	G 1/2 B			
max.operatg. pressure	up to 100 mm lenth 16 bar, after 100 mm only 6 bar			
Protection	IP 41 to EN 60529 / IEC 529			
Weight	0,07 kg	0,08 kg	0,13 kg	0,28 kg

Dimensions



Dimensions in mm									
Model	NG	D	b	d1	d2	e	f	sw	G
TB-10	63	63	45	12	9	8	19	21	G 1/2 B
TB-10	80	80	45	12	9	8	19	21	G 1/2 B
TB-10	100	100	50	12	9	8	19	21	G 1/2 B
TB-10	160	160	50	12	9	8	19	21	G 1/2 B

Modelspecification

Model	Connection	Nominal size	Ranges	Length
TB-1	0	f.e.100	f.e.120	f.e. 100

Connection bottom = 0

Case ND 63 = 63
 Case ND 80 = 80
 Case ND 100 = 100
 Case ND 160 = 160

after
 Rangespecification
 or direct temperature

sensorlength in mm