

Product description



The Non-full-tube electromagnetic flowmeter is a new type of flowmeter developed by our company that can measure liquid flow under non-full-tube conditions. Non-full pipe flowmeter is an automatic flow measuring instrument that continuously measures fluid flow in open pipelines (such as semi-pipe flow sewage pipes and large flow pipes without overflow weirs) using the flow-area method. It can measure and display data such as instantaneous flow rate, flow rate, and accumulated flow rate. It is especially suitable for the measurement of municipal rainwater, wastewater, sewage discharge and irrigation water pipes.

The non-full-tube flowmeter is composed of an electromagnetic flow rate sensor, a liquid level sensor and a flow indicator, which continuously measures the flow velocity and level of the fluid in the pipe. The user only needs to enter the inner diameter of a round pipe or the width of a square pipe. The non-full-pipe flowmeter will automatically calculate the flow in the pipeline and automatically display the measurement parameters such as instantaneous flow, flow rate, and accumulated flow in the pipeline.

Product features

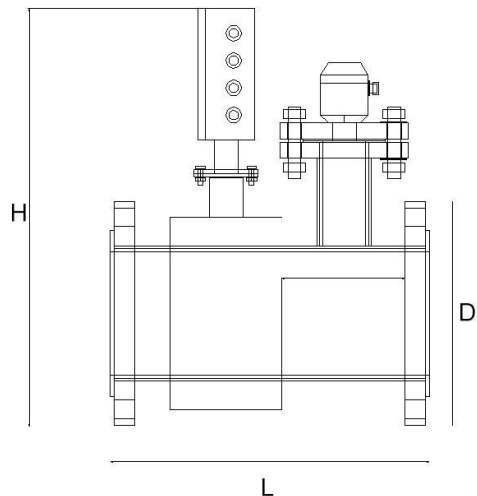
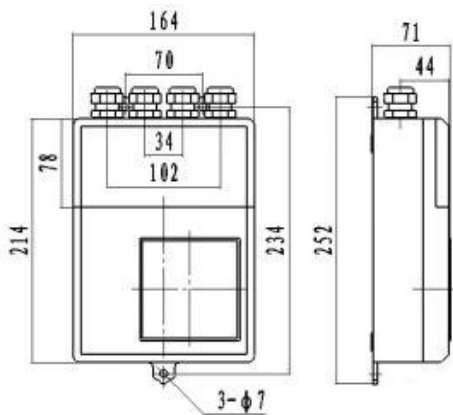
- Can be used for flow measurement of open non-full pipe (round pipe, rectangular pipe or other special-shaped pipe);
- Can be used for continuous measurement of municipal rainwater, wastewater, sewage discharge and irrigation water pipelines;
- Can realize forward and reverse two-way flow measurement;
- The sensor can work reliably for a long time under the harsh scene and sewage water quality;
- Flow velocity measurement range 0.05-10m / s;
- The flow measurement accuracy is high, and it is not affected by factors such as downstream, direct current, blockage, etc.
- The large-screen backlight LCD display can clearly read the measurement data under strong light or at night;
- Instrument display and output functions are complete, it can display instantaneous flow, flow rate, cumulative flow and other data, and has RS485 interface (optional);
- With GSM and GPRS wireless data remote transmission function (optional);
- It has the functions of timing, counting and clocking out of power.

Non-full-tube electromagnetic flowmeter

Technical parameter

Item	Technical parameter
Applicable medium	Various conductive liquids
Caliber range	DN100-DN2000
Lining type	Polychloroprene rubber, F46, PTFE can be specially customized
Electrode type	316L, Ha B, Ha C, Titanium, Tantalum, Platinum-iridium alloy, Stainless steel tungsten carbide
Pressure range	1.6Mpa; (high pressure needs to be customized)
Temperature resistance	-25~80°C
Accuracy	±2.5%
Protection level	Sensor IP65\IP67\IP68 (optional), converter IP65
Output type	Frequency, pulse, 4-20mA, RS485, Modbus protocol; Hart protocol (optional), Profibus DP (optional)
Power supply	85~250V, 45~63Hz, 20VDC --- 36VDC

Dimensional drawing of non-full tube electromagnetic flowmeter



Non-full-tube electromagnetic flowmeter

Size(mm)	L (mm)	H (mm)	D (mm)	L2 (mm)	
				PTFE	F46/ PFA/ Rubber
100	350	455	215	4	5
125	350	460	245	4	5
150	400	465	280	4	5
200	450	515	335	4	5
250	450	570	390	4	5
300	500	620	440	4	5
350	500	680	500	4	5
400	500	745	565	4	5
450	550	795	615	4	5
500	550	850	670	4	5
600	600	960	780	4	5
700	700	1070	895	4	5
800	800	1195	1015	4	5
900	900	1295	1115	4	5
1000	1000	1410	1230	4	5
1200	1200	1630	1450	4	5
1400	1400	1855	1675	4	5



www.instrumentteam.no

post@instrumentteam.no